



DDBC320-DALI

DALI Driver Controller

Power saving DALI control solution

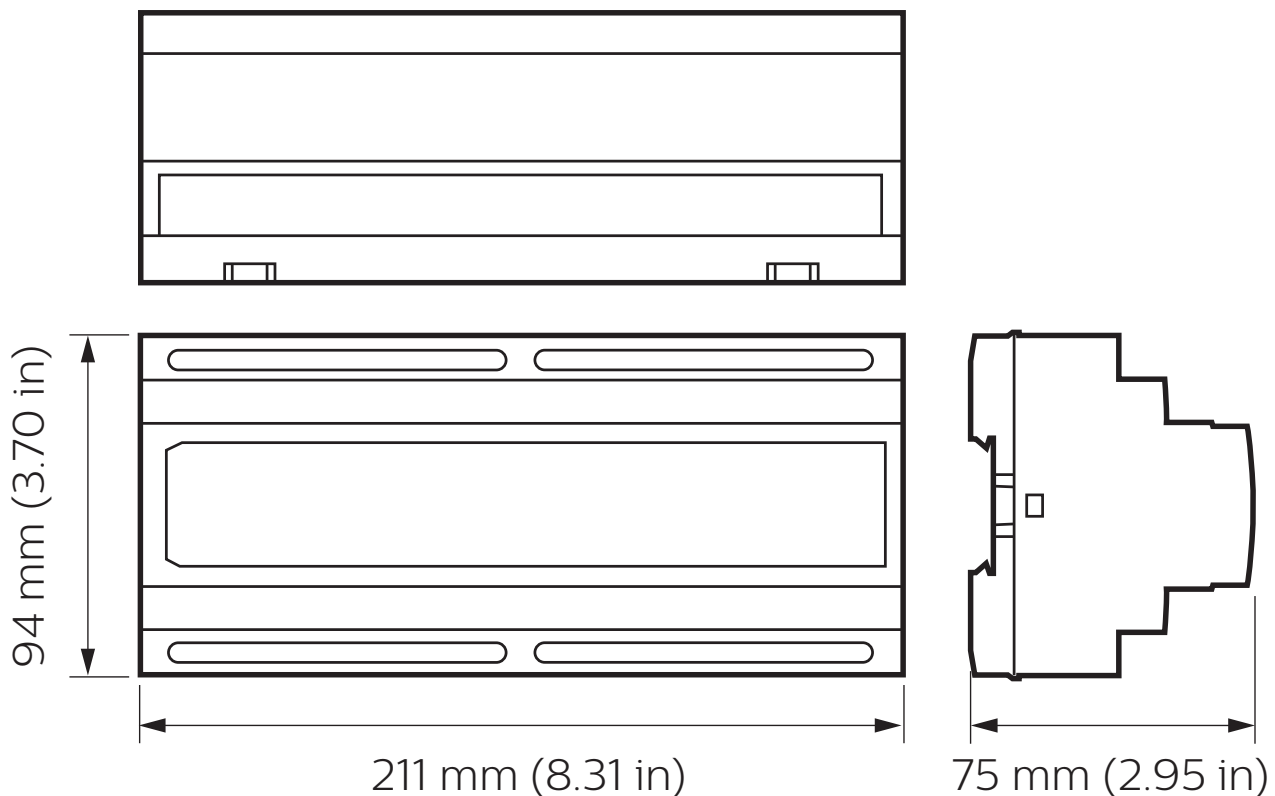
The Philips Dynalite DDBC320-DALI features three DALI outputs, allowing control of up to 192 DALI devices. It also features 3 x 20 A feed-through switched circuits for DALI driver mains supply.

DDBC320-DALI

Power saving DALI control solution

- **Compatible with a range of DALI fittings and devices** – Including DALI drivers, DALI electronic low voltage transformers and DALI LED fixtures.
- **Built-in energy savings** – Control signals can be programmed to operate in tandem with three internal switched outputs, which will automatically isolate the power circuit when all associated channels are at 0%. This is a useful feature as DALI drivers still draw significant power when lamps are turned off via a DALI command.
- **Fully scalable network solution** – Direct mapping from DALI to the DyNet network protocol eliminates DALI imposed limits, such as maximum group sizes.
- **Flexible mounting solution** – A DIN-rail mountable device, designed to be installed into the distribution board supplying power to the controlled lighting circuit.
- **Integral DALI bus power supply** – Removes the need for provision of a separate external power supply and reduces distribution board wiring complexity.
- **Inbuilt diagnostic functionality** – Features lamp and driver failure reporting, driver run time tracking for each driver and Device Online/Offline status indication.

Dimensions



Specifications

Due to continuous improvements and innovations, specifications may change without notice.



DDBC320-DALI
DALI Driver Controller

Electrical

| | |
|--------------------------|-----------------------|
| Supply Type | Single-Phase |
| Supply Voltage | 100-240 VAC |
| Supply Current | 0.5 A |
| DyNet DC Output Voltage | 12 VDC |
| DyNet DC Output Current | 200 mA |
| Switched Outputs | 3 x 20 A feed-through |
| Maximum CH-CH Voltage | 400 VAC |
| IEC Overvoltage Category | III |

Control

| | |
|-------------------------|---|
| Serial Ports | 1 x RS-485 |
| Supported Protocols | DyNet DMX Rx |
| DMX Rx Channels | 192 |
| Control Channel Outputs | 3 x DALI Addressing (Supports DALI 207 Tunable White) |
| Dry Contact Inputs | 1 (AUX) |
| User Input | 1 x service switch |
| Indicators | 1 x diagnostic LED |
| Diagnostic Functions* | Lamp failure reporting Driver failure reporting Driver runtime tracking Device online/offline status |

Physical

| | |
|------------------------------------|--|
| Dimensions (H x W x D) | 94 x 211 x 75 mm (3.70 x 8.31 x 2.95 in) |
| Packed Weight | 0.49 kg (1.08 lb) |
| Construction | Polycarbonate DIN rail enclosure (12 unit) |
| Serial Ports | 1 x RJ12 1 x 6-way pluggable screw terminal |
| Serial Port Conductor Size | 2.5 mm ² (#12 AWG) (max) |
| Supply Terminals | 3 x screw terminal Line, Neutral, Earth |
| Supply Terminal Conductor Size | 5 mm ² (#10 AWG) (max) |
| DALI Terminals | 3 x 2-way screw terminal DA-, DA+ |
| DALI Terminal Conductor Size | 4 mm ² (#11 AWG) (max) |
| Relay/Loop Terminals | 3 x 2-way screw terminal Loop IN, Loop OUT |
| Relay/Loop Terminal Conductor Size | 5 mm ² (#10 AWG) (max) |

Environment

| | |
|-------------------------------|--------------------------------------|
| Operating Temperature | 0° to 40°C ambient (32° to 104°F) |
| Storage/Transport Temperature | -25° to 70°C ambient (-13° to 158°F) |
| Relative Humidity | 0 to 90% non-condensing |
| IEC Pollution Degree | II |

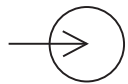
Compliance

| | |
|---------------|-------------------------|
| Certification | CE, RCM, IEC62386, RoHS |
|---------------|-------------------------|

* Philips Dynalite System Manager required for analyzing diagnostic data. The availability of some diagnostics is dependent on driver type.

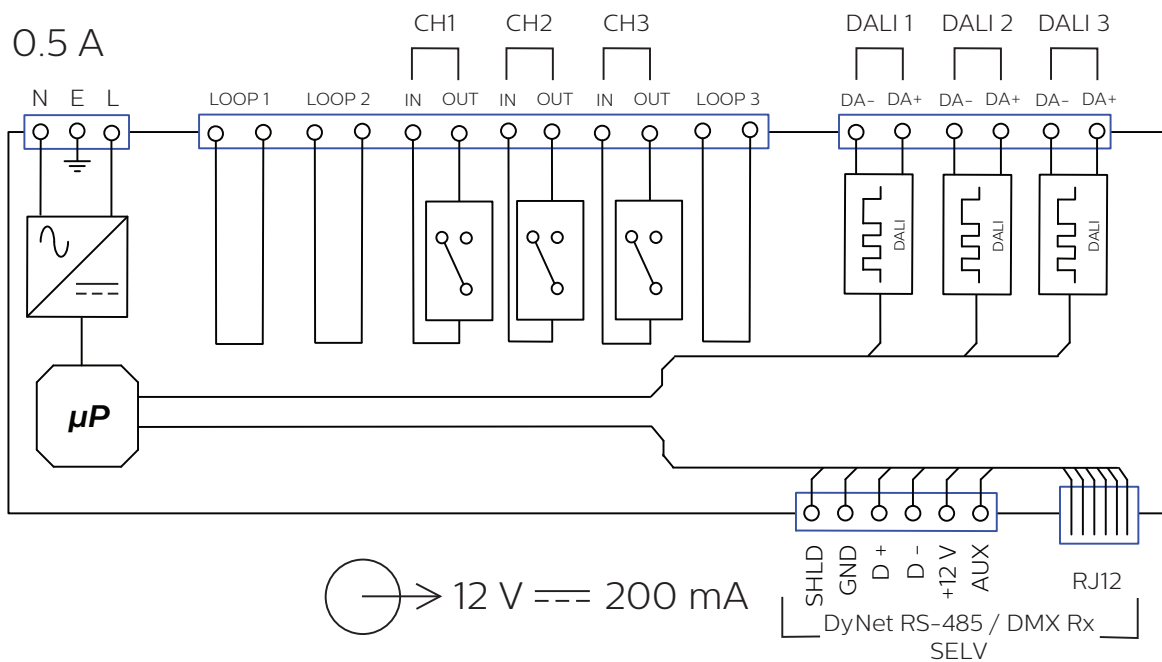


Electrical



100-240 V ~

0.5 A



Control Channel Ratings

| DALI | Channel | Device |
|--------------------|---------|--------|
| Output Voltage | 15 VDC | |
| Guaranteed Current | 128 mA | |
| Maximum Current | 250 mA | |
| Maximum Drivers | 64 | 192 |
| Insulation | Basic | |

Output Channel Ratings

| Load Type | Maximum Rating per Output CH1-CH3 |
|--------------------|--------------------------------------|
| Electronic Ballast | 20 A, 240 VAC |
| Inrush Current | 500 A |

Ordering Code

Product

DDBC320-DALI

Philips 12NC

913703031209



© 2019 Signify Holding. All rights reserved. Specifications are subject to change without notice. No representation or warranty as to the accuracy or completeness of the information included herein is given and any liability for any action in reliance thereon is disclaimed. Philips and the Philips Shield Emblem are registered trademarks of Koninklijke Philips N.V. All other trademarks are owned by Signify Holding or their respective owners.