



## Installation Instructions

Instructions d'installation  
Installationsanweisungen  
Instrucciones de instalación  
Istruzioni per l'installazione  
Installatie-instructies  
インストール手順  
安装指示  
إرشادات التركيب

**⚡** Devices must be installed in an approved enclosure by a qualified electrician in accordance with all national and local electrical and construction codes and regulations.

Les appareils doivent être installés dans un lieu jugé apte, par un électricien qualifié et conformément aux règles et normes locales et nationales en matière d'électricité et de construction.

Die Geräte müssen von einem geprüften Elektriker entsprechend allen nationalen und lokalen Elektro- und Bauvorschriften in einem zugelassenen Gehäuse installiert werden.

Los dispositivos se deben instalar en un recinto aprobado por un electricista cualificado de acuerdo a todos los reglamentos eléctricos y de construcción locales y nacionales pertinentes.

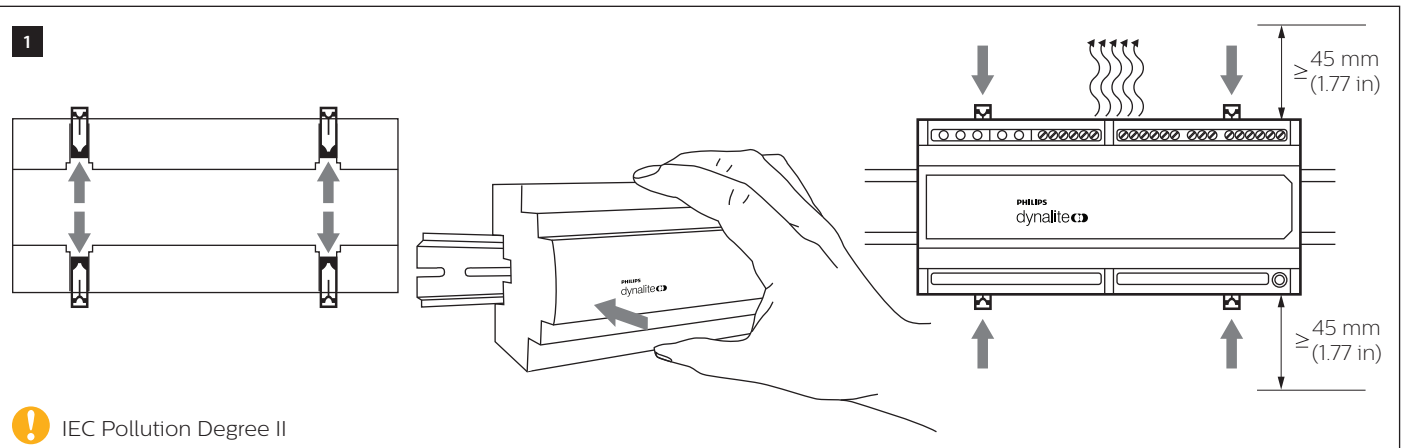
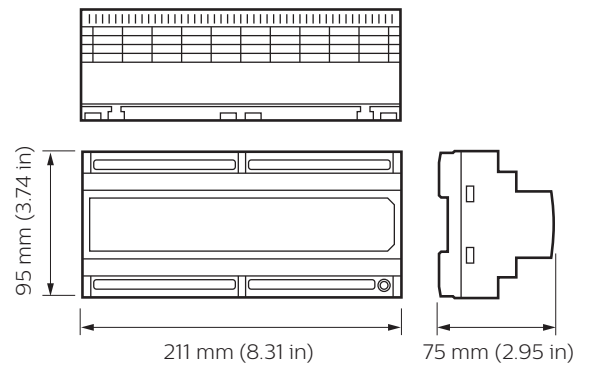
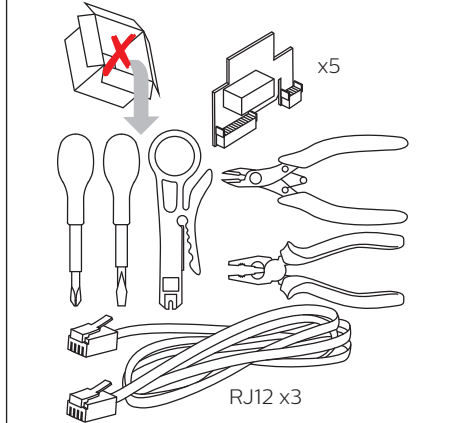
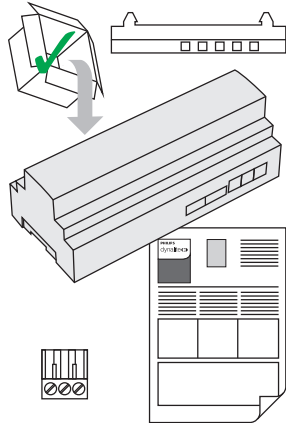
I dispositivi devono essere installati da un elettricista qualificato in un luogo approvato, in conformità a tutti gli standard e le norme nazionali e locali vigenti in materia di impianti elettrici e costruzioni edilizie.

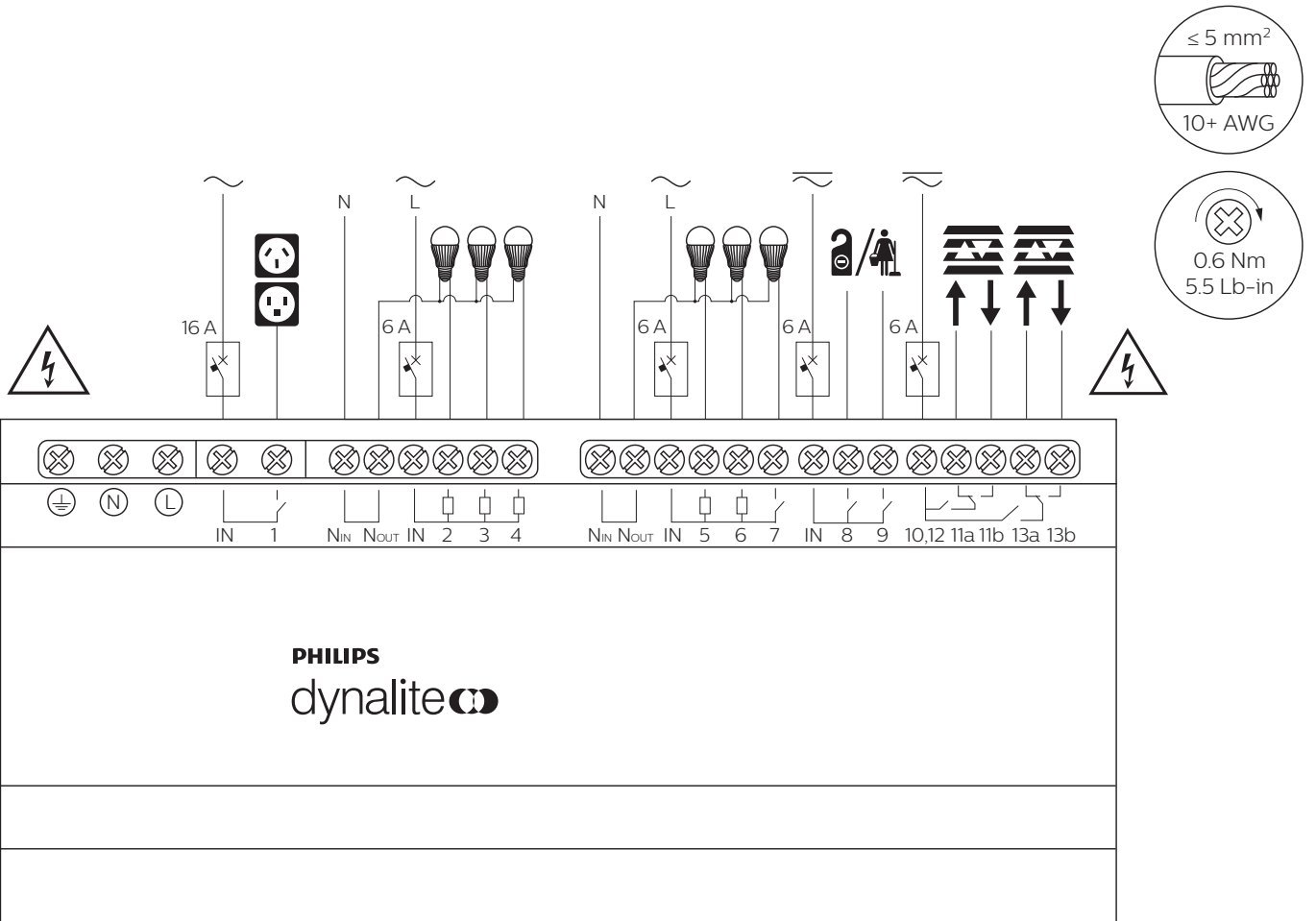
Apparaten moeten door een erkende elektricien worden geïnstalleerd in een goedgekeurde behuizing in overeenstemming met alle nationale en lokale elektriciteits- en bouwvoorschriften en wetgeving.

デバイスを取り付ける際は、資格のある電気技師に依頼し、電気と建設に関する国および地域のすべての法令に従って、認可されている筐体内に取り付けてください。

根据国家/地区及当地的电气与建筑规范和法规，该设备必须由有资质的电工安装在经批准的外罩内。

يلزم تركيب الأجهزة داخل حاوية معتمدة، من قبل كهربائي مؤهل وفقاً لجميع قوانين ولوائح الكهرباء والإنشاءات الوطنية والمحلية





**Output Ratings / Channel (CH)**

Load Type	CH1	CH7	CH8 - CH9	CH10 - CH13
☐ General Use	16 A, 240 V ~	4 A, 240 V ~	6 A, 240 V ~	4 A, 240 V ~
— Resistive			1 A, 30 V =	1 A, 30 V =
☀ Incandescent	10 A, 120 V ~ 5 A, 240 V ~	4 A, 240 V ~	5 A, 240 V ~	4 A, 240 V ~
⚡ Electronic Driver	3 A, 240 V ~	2 A, 120 V ~ 0.8 A, 240 V ~	2 A, 240 V ~	2 A, 120 V ~ 0.8 A, 240 V ~
Ⓜ Motor			5.8 FLA (1/4 HP), 120 V ~ 4.9 FLA (1/2 HP), 240 V ~	5.2 FLA (1/5 HP), 120 V ~ 4.3 FLA (2/5 HP), 240 V ~
☑ TV Rating	TV-8, 120 V ~	TV-8, 120 V ~	TV-5, 120 V ~	
⚡ Inrush Current	165 A	60 A	100 A	60 A

**Output Ratings/Group**

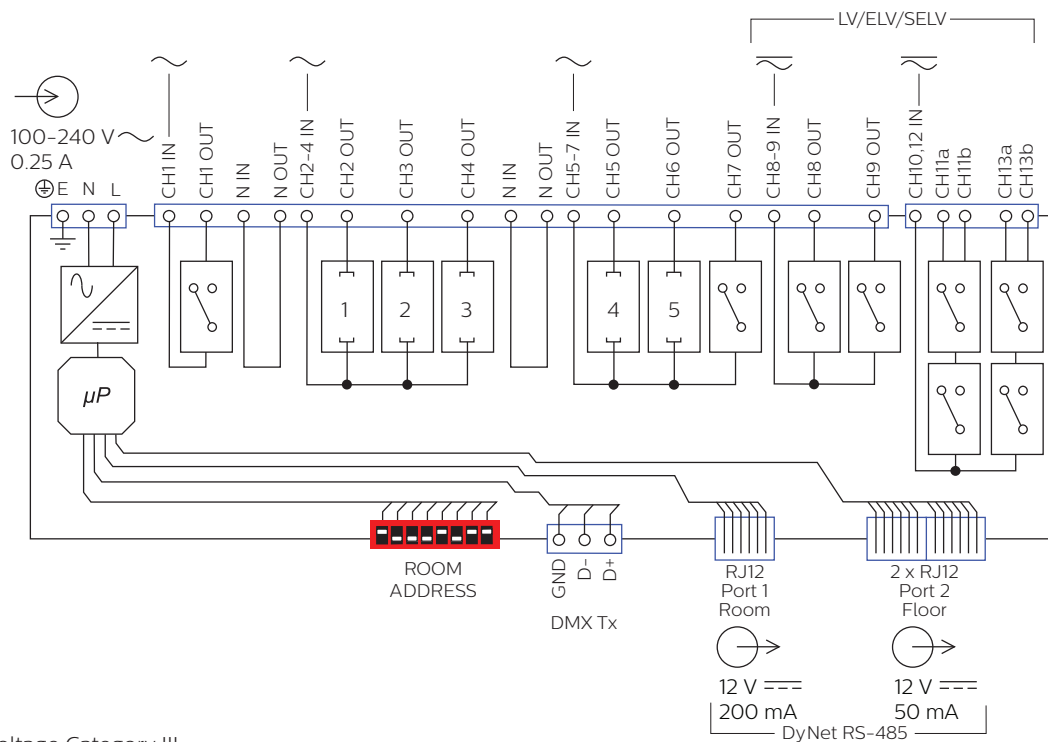
- CH2 - CH4\* ≤ 6 A
- CH5 - CH7\* ≤ 6 A
- CH8 - CH9 ≤ 6 A
- CH10 - CH13 ≤ 6 A

DDMC-GRMS ≤ 40 A

\*Ratings for CH2 – CH6 are based on module rating. Common feed also includes CH7.

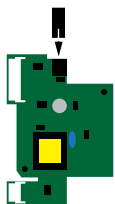
⚠ LE/TE dimming module supply must be from the same phase as the controller supply

3



! IEC Overvoltage Category III

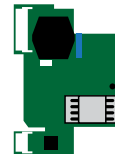
4



Module DDBM101  
DALI, DSI, 1-10V  
Ballast Controller



Module DDRM104  
1 x 4 A Relay Controller

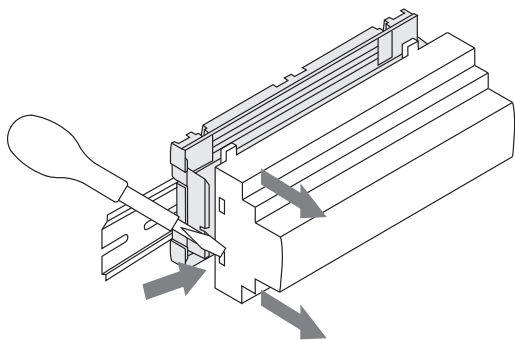


Module DDLM102  
1 x 2 A  
Leading Edge Dimmer

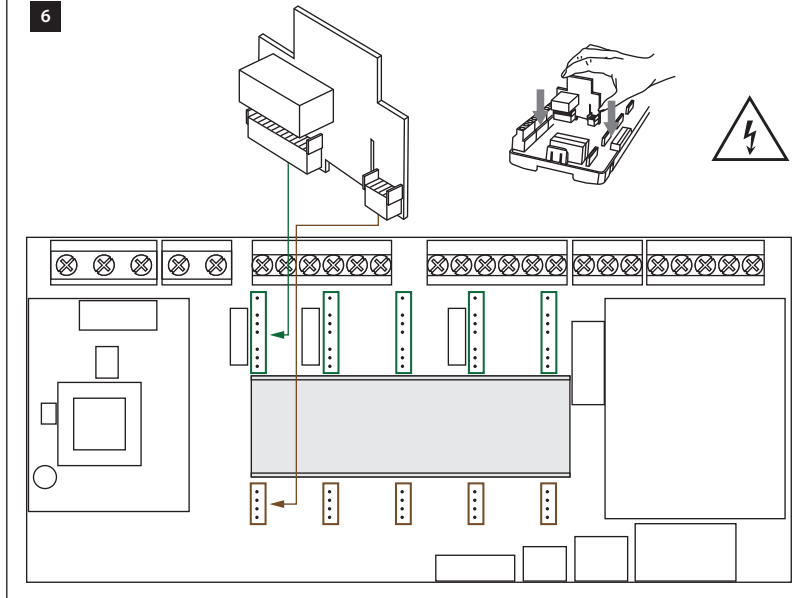


Module DDTM102  
1 x 2 A  
Trailing Edge Dimmer

5



6



**7 A** **DDBM101**  
1 CH ballast module

**Control Channel Ratings**

<b>DALI</b>	≤ 5/CH
<b>Broad-cast / DSI</b>	12 V $\overline{\text{---}}$ Guaranteed 10 mA, Maximum 250 mA Insulation: basic
<b>1-10 V</b>	Sink 10 mA / Source 10 mA

**7 B** **DDL M102**  
1 x 2 A LE dimmer module

**Load type**

Load type	Output ratings per channel CH 2-6
Incandescent	2 A, 120-230 V $\sim$
Magnetic with Halogen	2 A, 120-230 V $\sim$
Electronic Driver*	2 A, 120-230 V $\sim$

\*can be limited by load capacitance.  
Apply de-rating for electronic and LED loads.

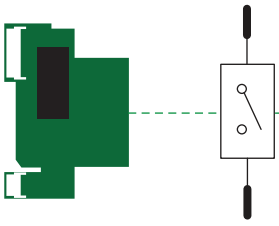
**7 C** **DDTM102**  
1 x 2 A TE dimmer module

**Load type**

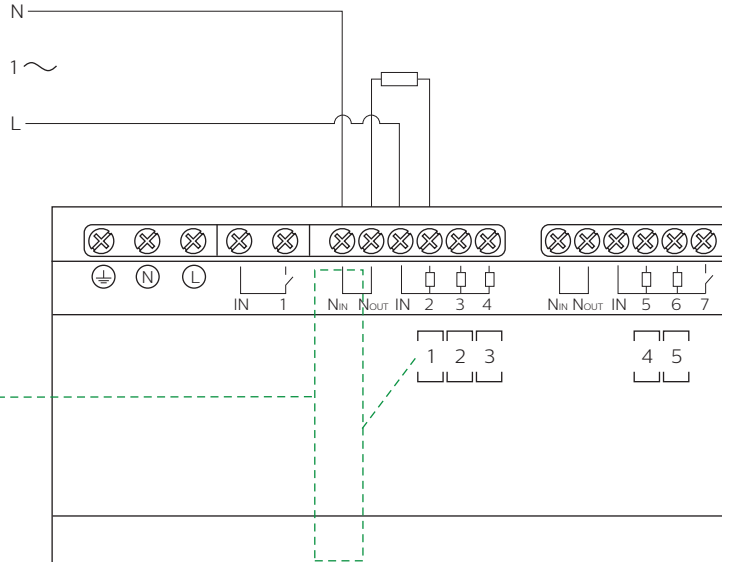
Load type	Output ratings per channel CH 2-6
Incandescent	2 A, 230 V $\sim$
Electronic Driver	2 A, 230 V $\sim$

Not compatible with magnetic transformers.  
Apply de-rating for electronic and LED loads.

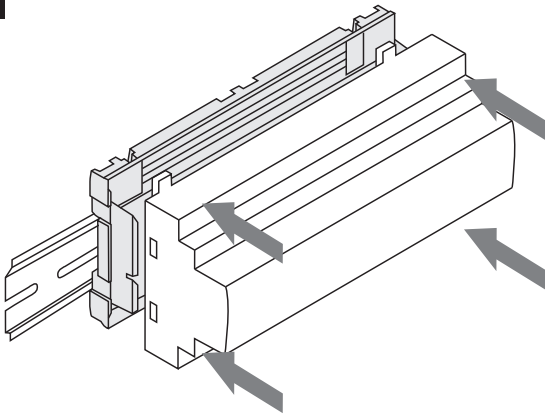
**7 D DDRM104**  
1 x 4A relay module



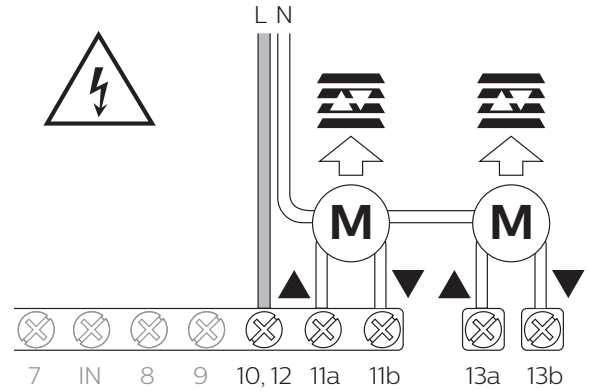
Load type	Output ratings per channel CH 2-6
□ General Use	4 A, 230 V ~
☀ Incandescent	600 W, 120 V ~ 1100 W, 230 V ~
⊞ Magnetic with Halogen	2 A, 120 V ~
⊞ Electronic Driver	4 A, 120 V ~ 3 A, 230 V ~
⌚ Inrush Current	≤ 100 A



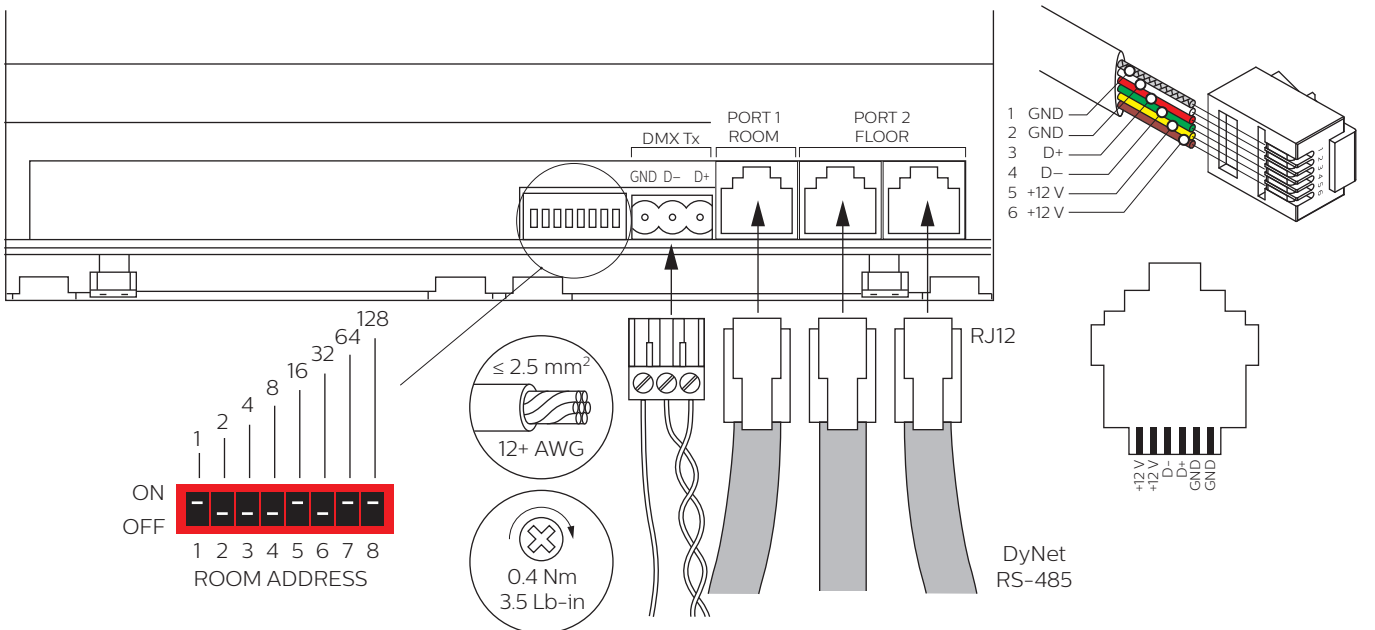
**8**

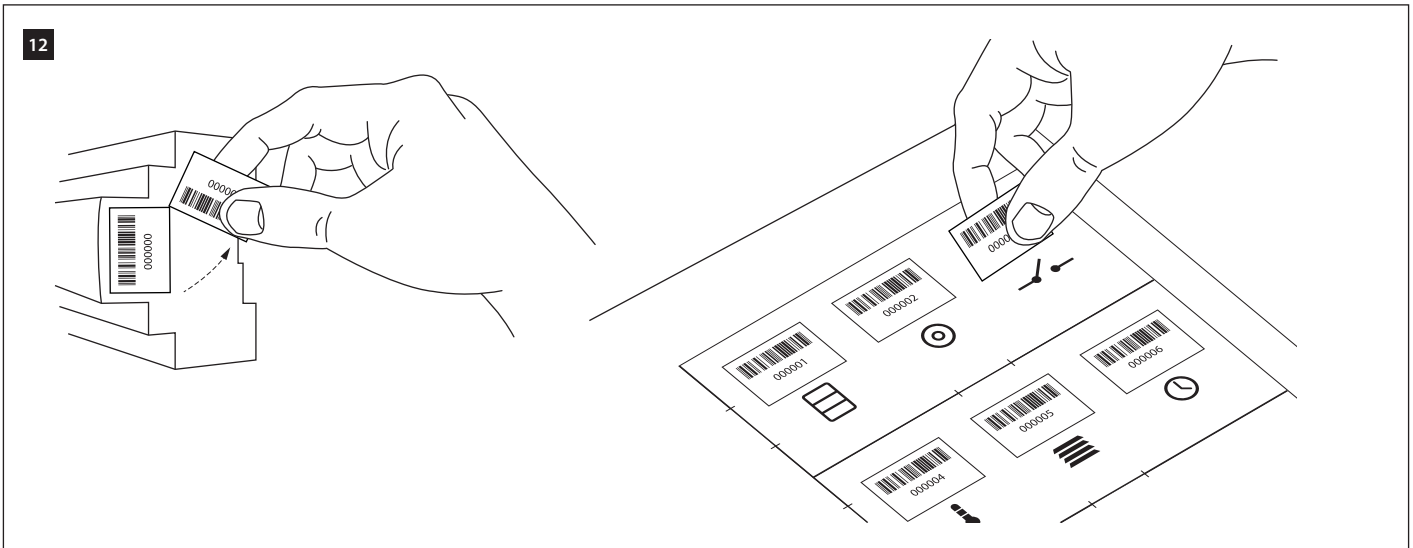
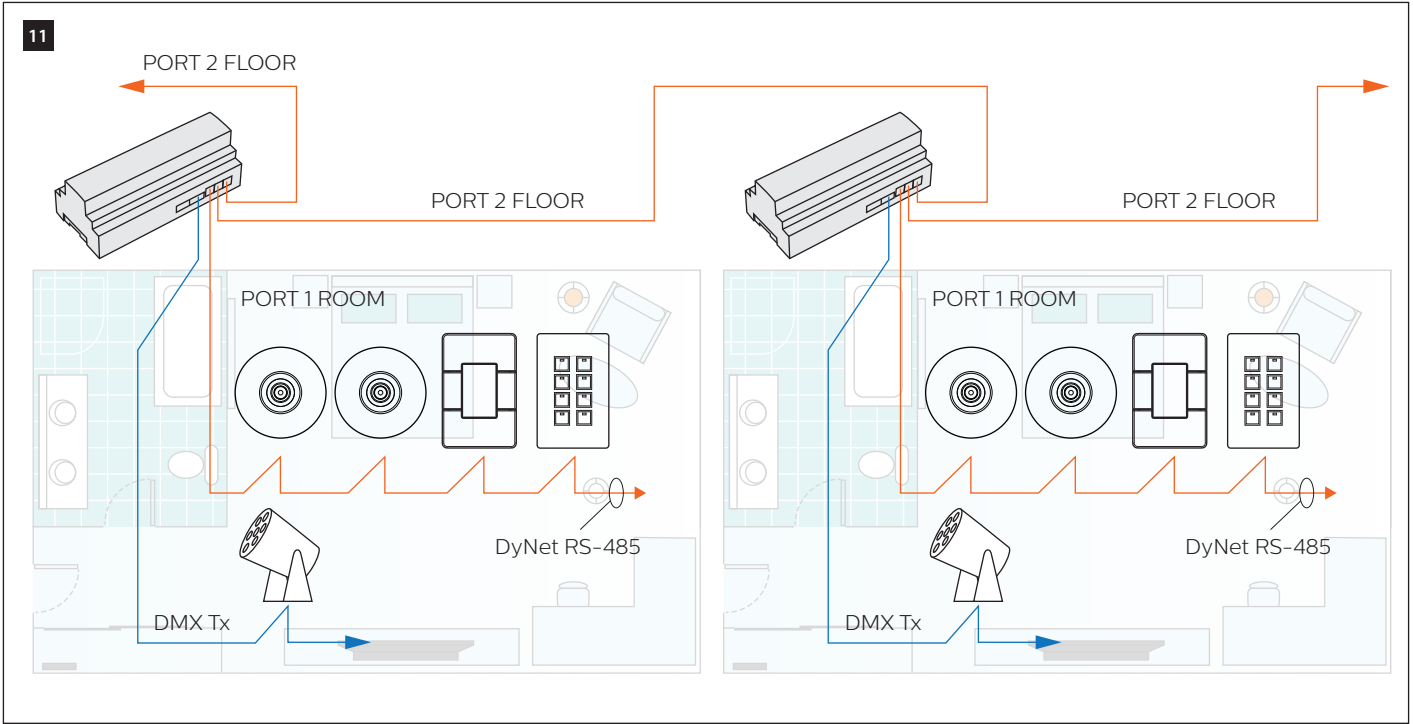


**9**



**10**





⚠ Apply de-rating for electronic and LED loads.

⚠ The manufacturer is not responsible for dimmable lamp selection. Each lamp/dimmer combination must be tested for compatibility prior to installation.

📏 Installation of a home and building automation and control system shall comply with HD 60364-4-41. The temperature limits and current-carrying capacities for the communication wires specified in HD 384.5.523 shall not be exceeded.



