



DDMC-GRMS

Multipurpose Modular Room Controller

Compact controller for single room solutions

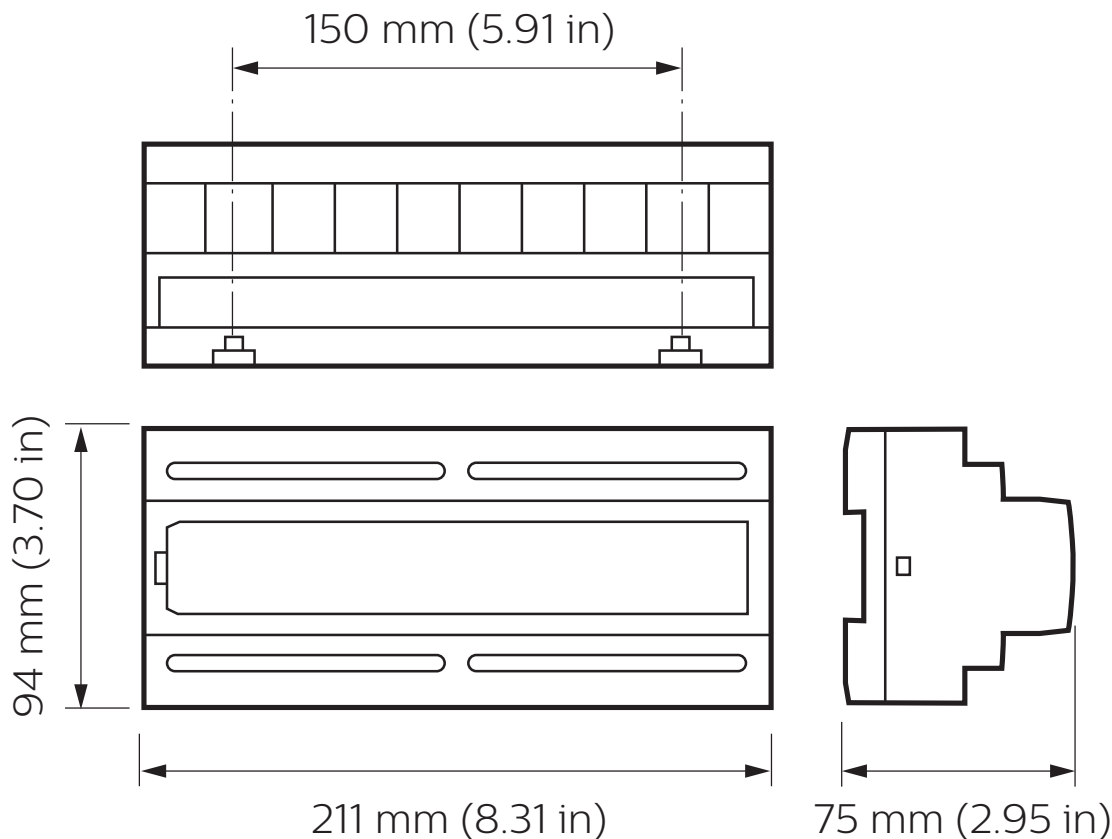
The Philips Dynalite DDMC-GRMS is a general room automation and energy management system. Allowing for a range of output modules, the compact unit delivers the ultimate in room comfort through seamless control of lighting, curtains and blinds, as well as limiting standby current consumption from electronic devices connected to power outlets.

DDMC-GRMS

Compact controller for single room solutions

- **Modular controller** – Leading and trailing edge dimming modules, signal dimming modules and relay control modules available.
- **Built-in motor directional relays** – Provides control of motorized blinds for a full automation solution.
- **Pre-programmed** – No programming required as the unit is supplied with complex functions such as 'master on/off', 'room unoccupied', 'do not disturb' or 'make up room' already configured. The device can be reconfigured to meet any project requirements.
- **Three switching channels** – Provide additional on/off control of other lighting fixture types.
- **One 16 A power relay** – Enables a total energy management solution, reducing standby power consumption by switching power outlets.
- **Single box solution** – Provides an economical total energy management solution.
- **Built-in sequential logic functionality** – Allows intelligent responses to programmed triggers.
- **Flexible mounting solution** – A DIN-rail mountable device, designed to be installed into the distribution board supplying power to the controlled circuit.

Dimensions



Specifications

Due to continuous improvements and innovations, specifications may change without notice.



DDMC-GRMS Multipurpose Modular Room Controller

Electrical

Supply Type	Single phase
Supply Voltage	100-240 VAC
Supply Current	0.25 A
Outputs	5 x 1-channel module bays 4 x switched 2 x motor control
DyNet Load Voltage	12 VDC
DyNet Load Current	200 mA
Overvoltage Category	III

Control

Serial Ports	2 x RS-485
Supported Protocols	DyNet DyNet2 DMX Tx
DMX Tx Channels	16 (max)
User Controls	1 x service switch 8 x DyNet address DIP switch
Indicators	1 x service LED

Physical

Dimensions (H x W x D)	94 x 211 x 75 mm (3.70 x 8.31 x 2.95 in)
Packed Weight	0.82 kg (1.81 lb)
Construction	Polycarbonate DIN rail enclosure (12 unit)
Serial Ports	3 x RJ12 1 x 3-way pluggable screw terminal
Serial Port Conductor Size	2.5 mm ² (#12 AWG) (max)
Supply Terminals	3 x screw terminal Line, Neutral, Earth
Supply Terminal Conductor Size	5 mm ² (#10 AWG) (max)
Load Terminals	22 x screw terminal
Load Terminal Conductor Size	5 mm ² (#10 AWG) (max)

Environment

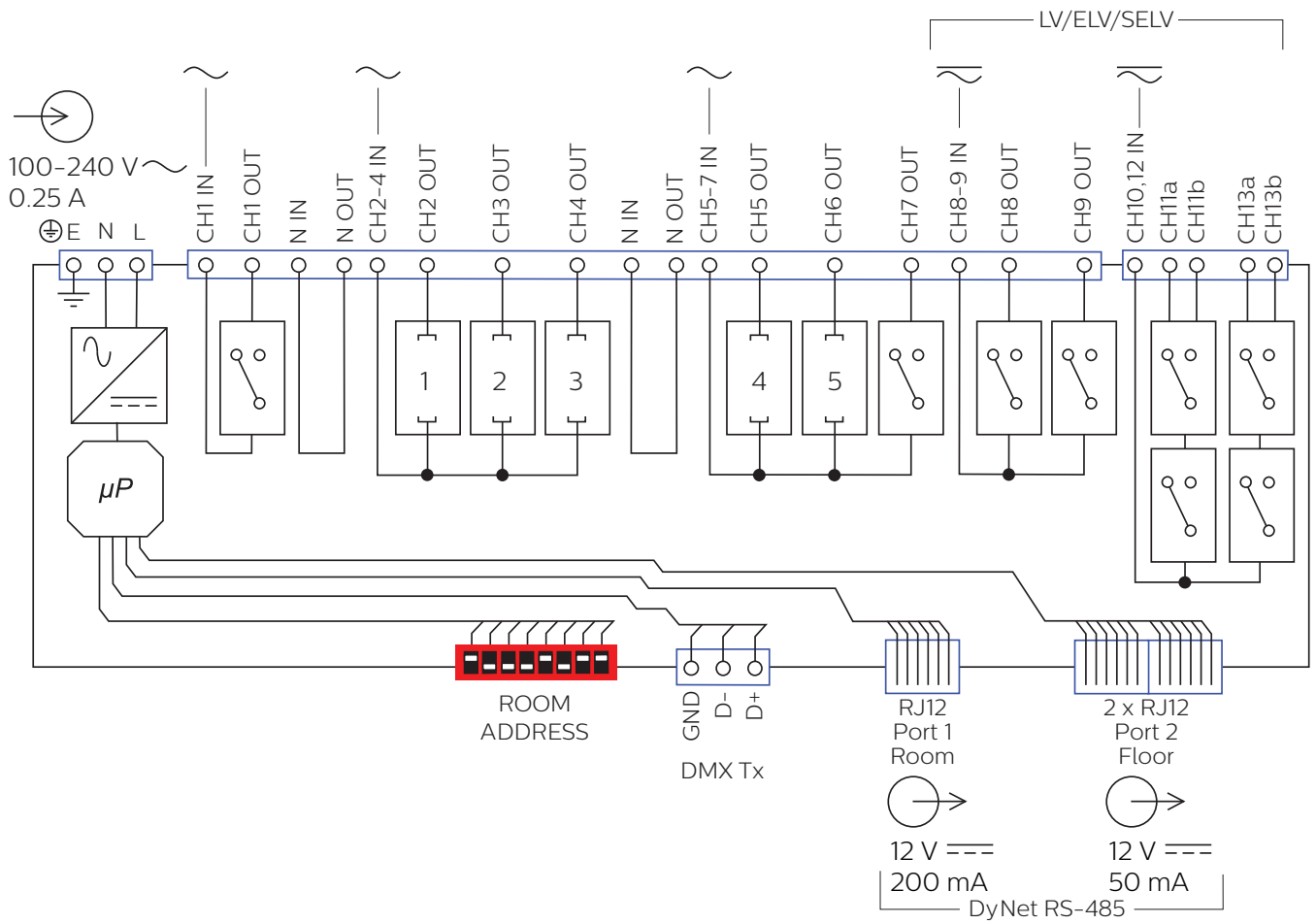
Operating Temperature	0° to 40°C ambient (32° to 104°F)
Storage/Transport Temperature	-25° to 70°C ambient (-13° to 158°F)
Humidity	0 to 90% non-condensing
IEC Pollution Degree	II

Compliance

Certification	CE, RCM, RoHS
---------------	---------------



Electrical



Output Channel Ratings

Load Type	Maximum Rating per Output				
	CH1	CH7	CH8-CH9	CH10-CH13	
General Use	16 A, 240 VAC	4 A, 240 VAC	6 A, 240 VAC	4 A, 240 VAC	
Resistive			1 A, 30 VDC	1 A, 30 VDC	
Incandescent	10 A, 120 VAC 5 A, 240 VAC	4 A, 240 VAC	5 A, 240 VAC	4 A, 240 VAC	
Electronic Ballast	3 A, 240 VAC	2 A, 120 VAC 0.8 A, 240 VAC	2 A, 240 VAC	2 A, 120 VAC 0.8 A, 240 VAC	
Motor			5.8 FLA (1/4 HP), 120 VAC 4.9 FLA (1/2 HP), 240 VAC	5.2 FLA (1/2 HP), 120 VAC 4.3 FLA (2/5 HP), 240 VAC	
TV Rating	TV-8, 120 V	TV-8, 120 V	TV-5, 120 V		
Inrush Current	165 A	60 A	100 A	60 A	
Maximum Group Load	CH2-CH4 6 A	CH5-CH7 6 A	CH8-CH9 6 A	CH10-CH13 6 A	DEVICE 40 A

DDBM101

Module Type	Signal dimmer control
Output Channels	1
Supported Protocols	1-10 V DSI DALI Broadcast



Control Channel Ratings

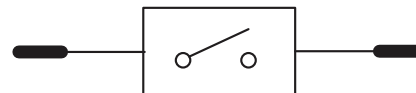
DALI/DSI	Channel
Output Voltage	12 VDC
Guaranteed Current	10 mA
Maximum Current	250 mA
Maximum Drivers	2
Insulation	Basic
1-10 V	Channel
Current	sink 10 mA source 10 mA

DDRM104

Module Type	Relay control
Output Channels	1 x 4 A

Output Channel Ratings

Load Type	Maximum Rating per Output
General Use	4 A, 230 VAC
Incandescent	600 W, 120 VAC 1100 W, 230 VAC
Standard Ballast	2 A, 120 VAC
Electronic Ballasts	4 A, 120 VAC 3 A, 230 VAC



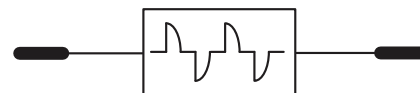
DDL M102

Module Type	Leading edge dimmer
Output Channels	1 x 2 A
Regulating Device	Triac 20 A, 600 V

Output Channel Ratings

Load Type	Maximum Rating per Output
Incandescent	2 A, 120-230 VAC
Standard Ballast	
Electronic Ballast*	

* can be limited by load capacitance.



Dimming module supply must be from the same phase as the controller supply.

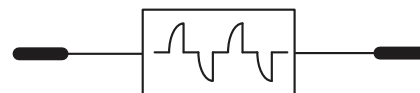
DDTM102

Module Type	Trailing edge dimmer
Output Channels	1 x 2 A
Regulating Device	Dual MOSFET, 21 A, 500 V (84 A surge)

Output Channel Ratings

Load Type	Maximum Rating per Output
Incandescent	2 A, 230 VAC
Electronic Ballast	

Not compatible with magnetic transformers.



Dimming module supply must be from the same phase as the controller supply.

Ordering Code

Product	Philips 12NC
DDMC-GRMS	913703212509
Modules	
DDBM101	913703025309
DDRM104	913703025009
DDL102	913703024809
DDTM102	913703025109



© 2020 Signify Holding. All rights reserved. Specifications are subject to change without notice. No representation or warranty as to the accuracy or completeness of the information included herein is given and any liability for any action in reliance thereon is disclaimed. Philips and the Philips Shield Emblem are registered trademarks of Koninklijke Philips N.V. All other trademarks are owned by Signify Holding or their respective owners.