

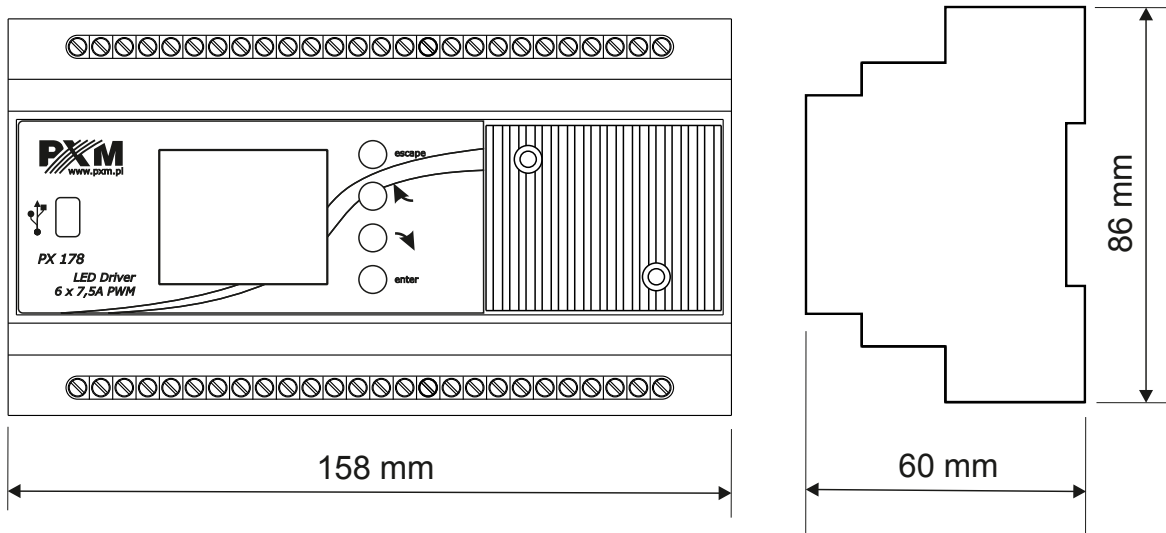
Device description

PX178 is designed to control lamps or voltage LED strips. This is the most advanced driver of its kind offered by the PXM company. The driver has been placed in a housing with a width of 9 standard rail modules and equipped with a color display. This allows the user to program and control the device intuitively. The built-in DMX receiver allows for control of 6 channels (e.g. 2 x RGB) by directly using the DMX protocol. The wide supply voltage range and high output current-carrying capacity (7.5A) enable the user to control large numbers of LED diodes. In addition, the driver incorporates an over-current protection device, a temperature protection device preventing driver overheating as well as a DMX line surge protection device.

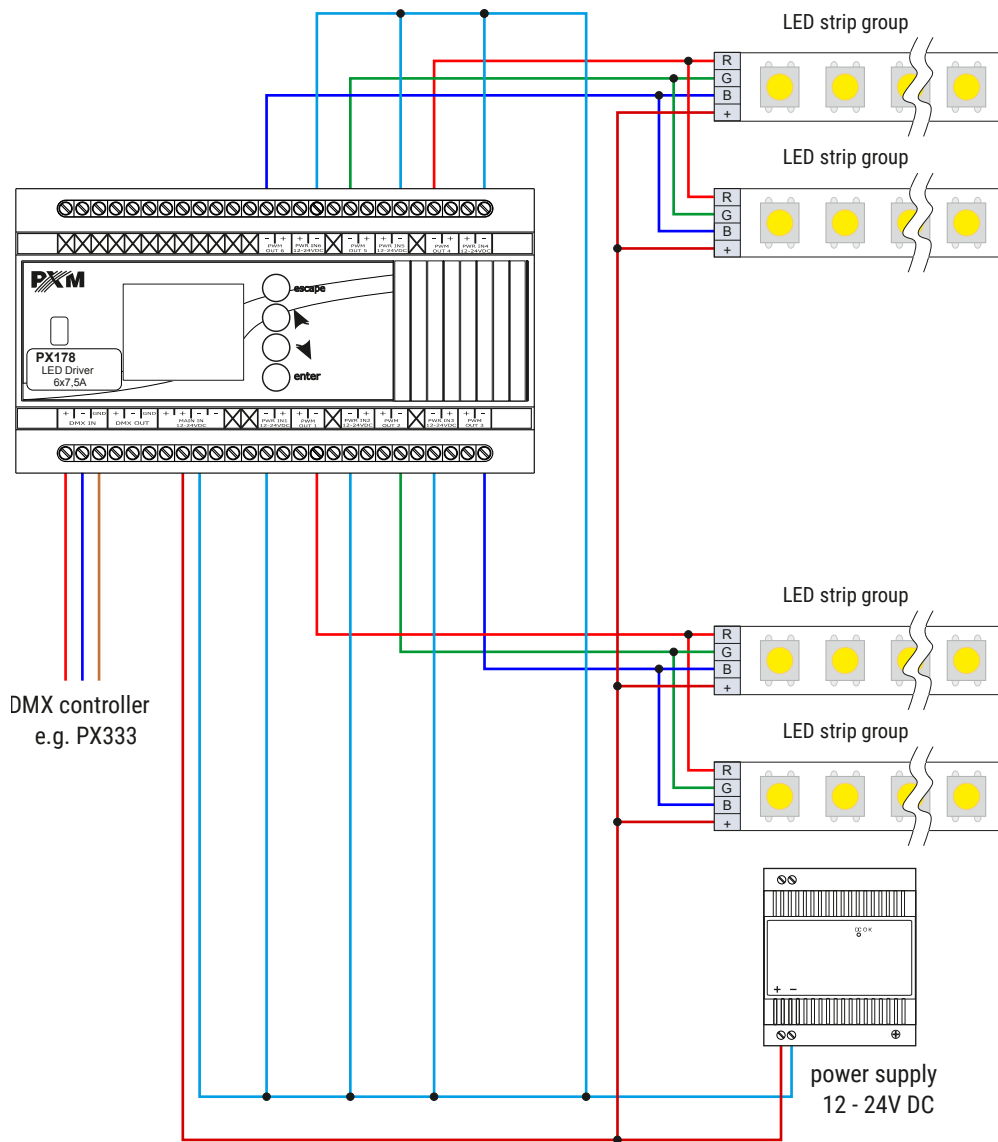
You can control the PX178 using DMX signals or it can operate independently. In such a case, you can choose from 8 fully programmable scenes and 8 programs, and, in relation to these scenes and programs you can vary playback speed and step transition smoothness. Thanks to the use of 16-bit resolution, parameter adjustment in individual channels is fully variable. The driver has a real time clock that allows to set power on and off times for the LEDs controlled, which is particularly suitable for advertising sign light systems. Besides, the built-in astronomical clock feature, using the current date, the co-ordinates of the driver installation location and its position relative to universal time (Greenwich UT), automatically sets driver output turn on and off times, on a 24-hours basis, in accordance with astronomical sunrise and sunset times.

The driver also features an option allowing to change the control signal adjustment frequency ("*flicker free*" technology), used in television broadcasting. The USB port allows the driver to communicate with a computer. The PXM company has developed software for setting program and scene parameters in the driver from the level of a computer running the Windows® system. The software can be downloaded from the manufacturer's website (<https://pxm.pl/>).

Technical data



Connection diagram



Technical data

type	PX178
DMX channels	512
power supply	12 – 24V DC
current consumption	max. 45A
number of output channels	6
control accuracy	16 bit
programmable scene	8
number of programs	8
output load	7.5A / channel
output sockets	terminal blocks
Master / Slave mode	yes
real time clock	yes
dimensions	width: 158mm (9-modules) height: 86mm depth: 60mm