

## Driver LED C.V. 3 x 6A



## Device description

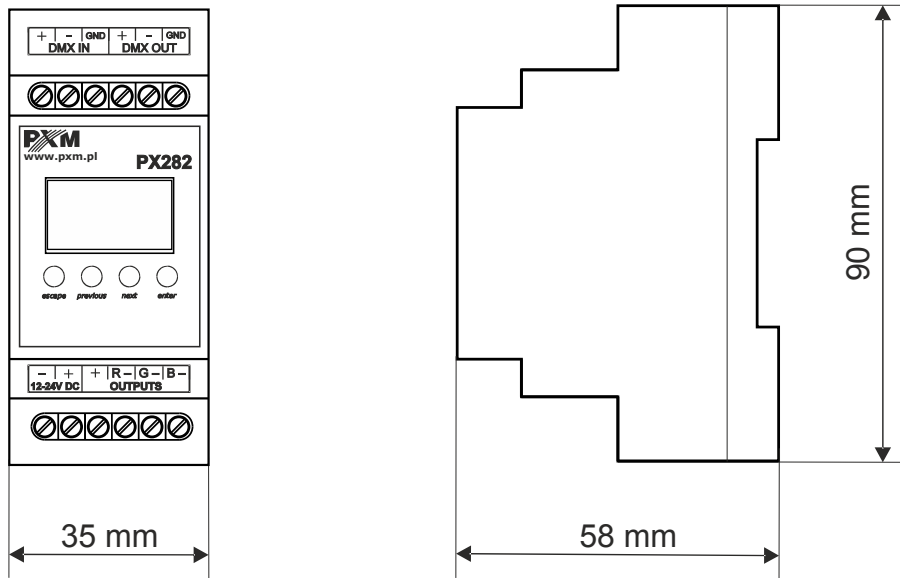
The PX282 driver is designed to control LEDs. The device has been placed inside DIN rail housing. The built-in DMX receiver allows for activating 3 channels (R, G, B) by using directly the DMX protocol. A wide range of supply voltage and a high level of current-carrying capacity (6A) enable activating large quantities of LEDs.

The PX282 can be controlled by the DMX signal or it can work independently. In such operation mode, the user has access to a fully programmable scene and 18 default sequences for which he can also change the playback speed and the smoothness of transition of particular steps. With the use of 16-bit resolution, controlling the parameters of channels is completely smooth. Moreover, the driver offers an effect control mode which allows for controlling the programs that are built into the device and, at the same time, changing such parameters as speed, brightness and fade settings using the DMX-512 signal sent from an external controller.

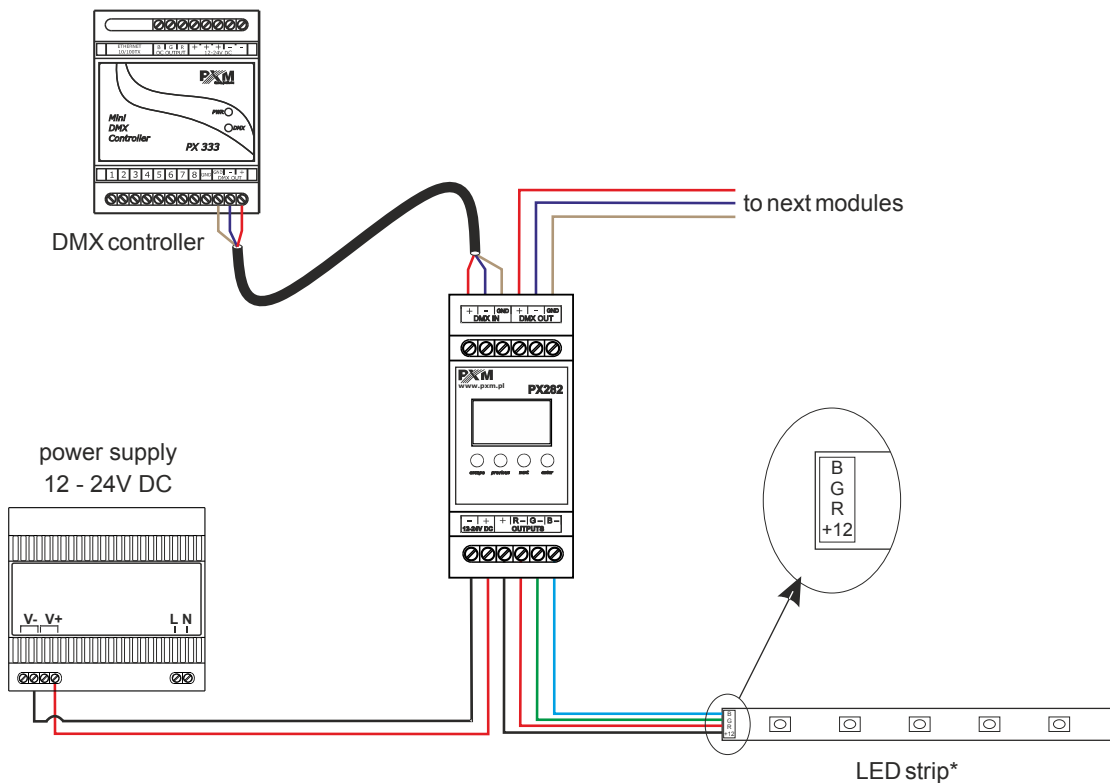
PX282 also supports DMX-RDM protocol with its extension of DMX-512 protocol.

The driver offers a built-in control signal frequency tuning system ("*flicker free*" technology), which makes it useful in applications for the television industry. As LEDs from the RGB series often differ in parameters, problems in receiving white color may occur (triggering 100% at all channels). This is why the PX282 has been equipped with a very useful feature called 'white balance.' With this feature, each set of LEDs can be adjusted so that the control of individual colors by the module enables achieving white color at full activation.

What is more, this feature allows for adjusting color temperature of white output color.



Connection diagram



\* typical LED strips are supplied with 12V DC – then the PX282 has to be connected also the 12V DC power supply with adequate power, in the case of using LED strips supplied with 24V DC, the PX282 has to be connected to 24V DC power supply that power is matched to the length of the strip.

## Technical data

---

type	PX282
DMX channels	512
RDM protocol support	yes
power supply	12 – 24V DC
max. current consumption	18A
power consumption without load	max. 0.8W
output channel number	3
control accuracy	16 bit
programmable scenes	1
built-in programs	18
outputs current capacity	6A / channel
output sockets	screw connectors
Master mode	yes
weight	0.1kg
dimensions	width: 35mm (2 DIN rail modules) height: 90mm depth: 58mm