



Driver LED C.V. 4 x 5A

Device description

The PX370 driver is designed to control LEDs. Built-in DMX receiver allows for controlling 4 channels (R, G, B, W) directly with the DMX protocol. Wide range of power supply voltage and high current carrying capacity outputs permit a control of large quantities of LEDs.

PX370 can be either controlled by DMX, and act independently. In this case, the user is offered a fully programmable scene and 18 pre – programmed sequences, which can also freely change the playback speed and fluidity changes in steps.

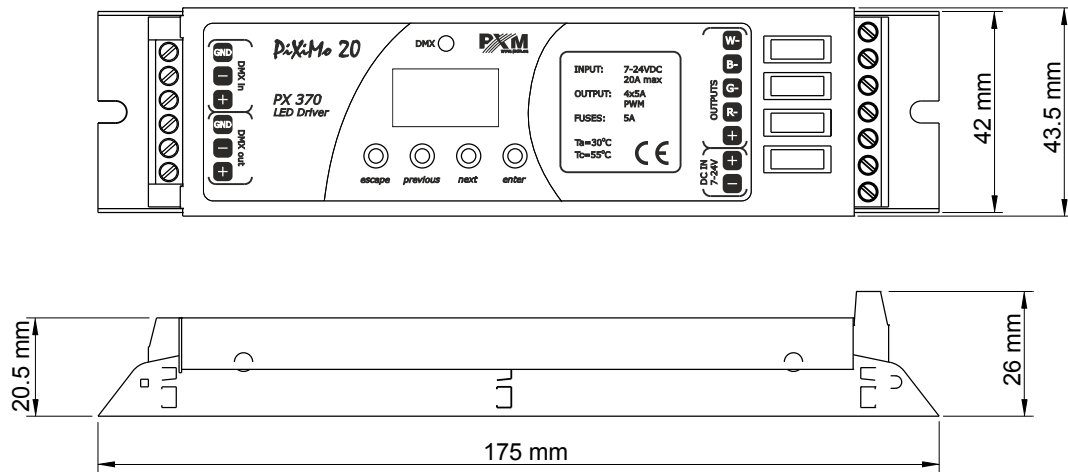
Driver PX370 can operate in different control modes: **2b** – brightness and one of the 256 colors define by the manufacturer, **3b** – each color RGB can be set separately, **3bd** – each color RGB can be set separately and dimmer (dimming all outputs), **4b** – each color RGBW can be set separately, **4bd** – each color RGBW can be set separately and dimmer (dimming all outputs) **HSL** – responsible for hue, saturation and lightness, **dW** – dynamic white (tunable white), control channels cold and warm white, **EFF** – it is available on 8 DMX channels and control R, G, B, W, Mode, Speed, Fade and Brightness.

The driver has a built-in tuning frequency signal system ("*flicker free*" technology), which makes it particularly useful in applications for the television industry.

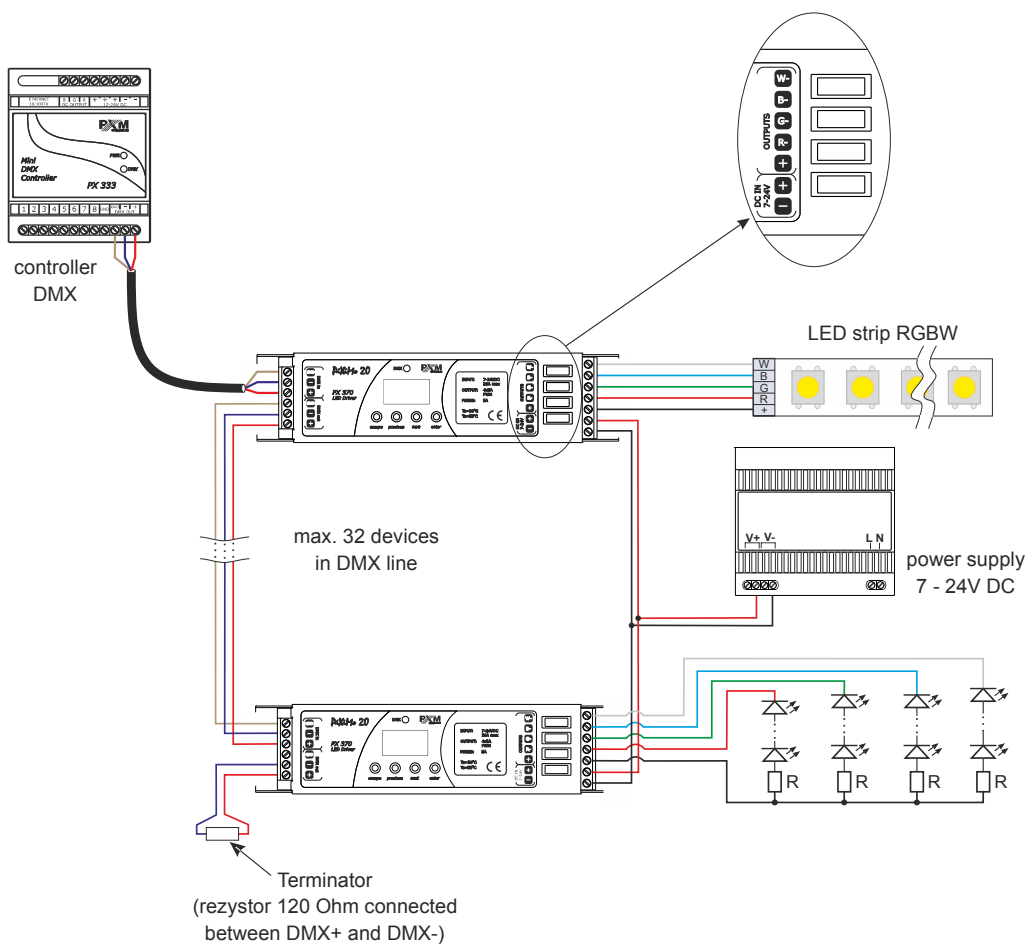
Since LEDs of RGB series often have different parameters, the driver can limit the maximum power of some output channels.

The PX370 is produced in *common anode* version – it allows LEDs connection on common anode.

Technical drawing



Connection diagram



Note! The driver is common anode type device. It is possible to connect lamps with 5-wires cable with a common "+" only.

Technical data

type	PX370
DMX channels	512
RDM protocol support	yes
power supply	7 – 24V DC
max. current consumption	20A
power consumption without load	19mA for 12V DC 17mA for 24V DC
output channel number	4
control accuracy	16 bit
programmable scenes	1
built-in programs	18
outputs current capacity	5A / channel
output socket	screw connectors
Master mode	yes
weight	0.1kg
dimensions	width: 175mm height: 42mm depth: 26mm