



## Device description

---

PX723 is a dedicated keypad for cooperation with the controllers PX710M and PX340. It is possible to create the system of additional inputs for the controllers PX710M and PX340, which include the devices PX723 and PX734.

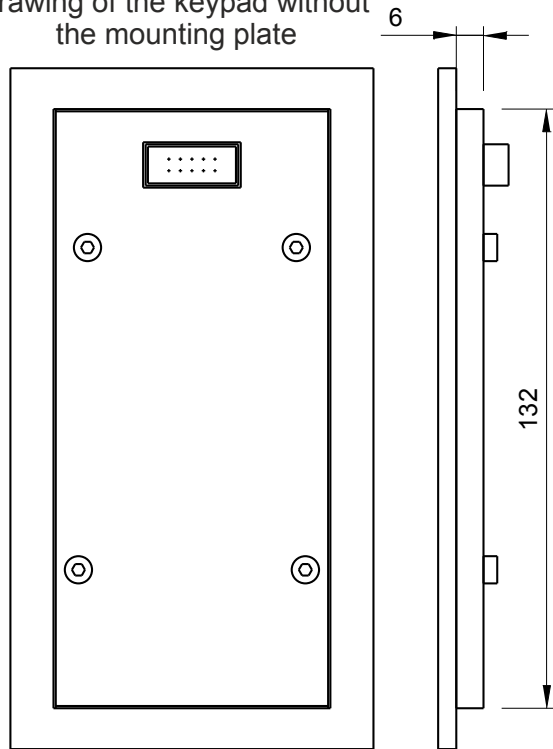
PX723 expands the system by 8 digital inputs in the form of touch buttons and PX734 expands it by one analogue input and one digital input (the movement sensor and the analogue light sensor). Both devices are connected with the use of the connector Keyboard Hub PX725.

Each button of PX723 has a LED indicator with adjustable brightness. Its state is controlled by the controller, and the configuration is carried out with the use of the program PxDesigner (available for free download on producer's website). Moreover, pressing the button can be signaled with the short acoustic signal.

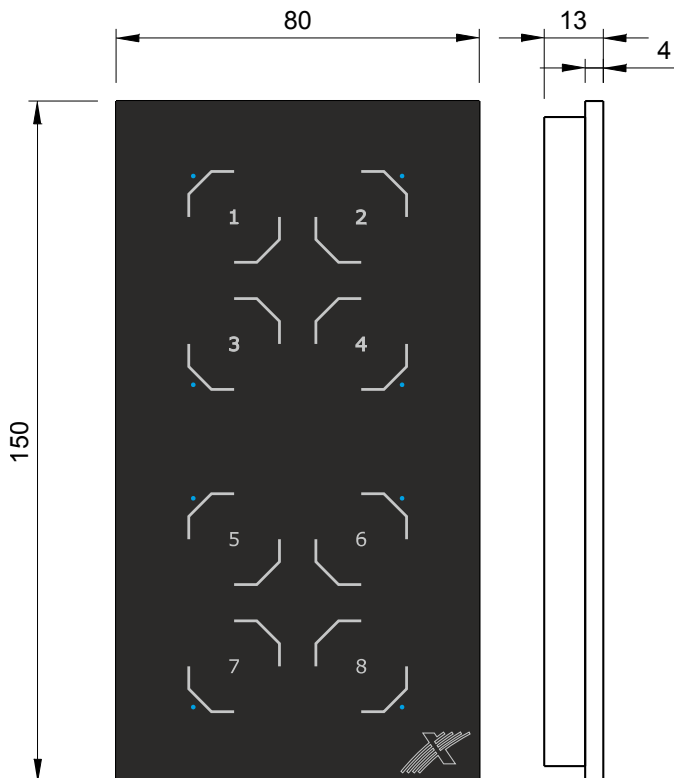
It is possible to connect 64 devices (max. 32 per one line of PX725) and they should be connected in series.

The front panel is made with tempered glass, and the housing of PX723 enables an easy assembly in the standard double electrical box.

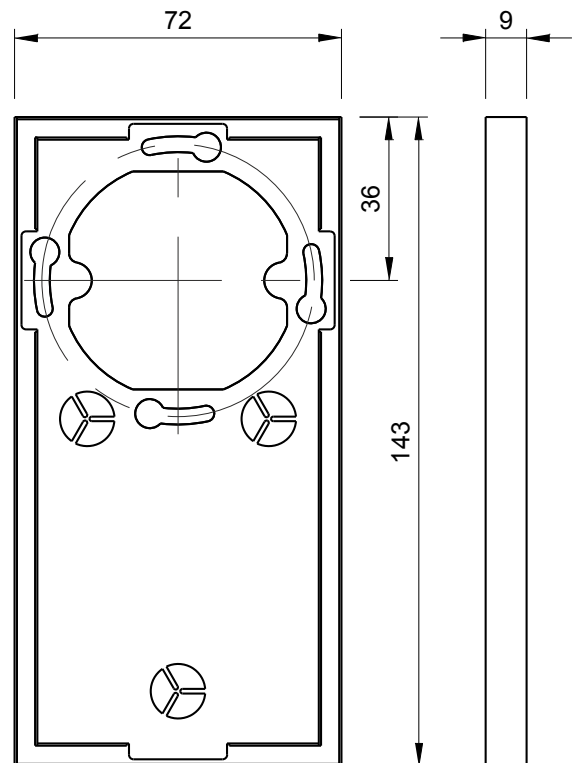
drawing of the keypad without the mounting plate



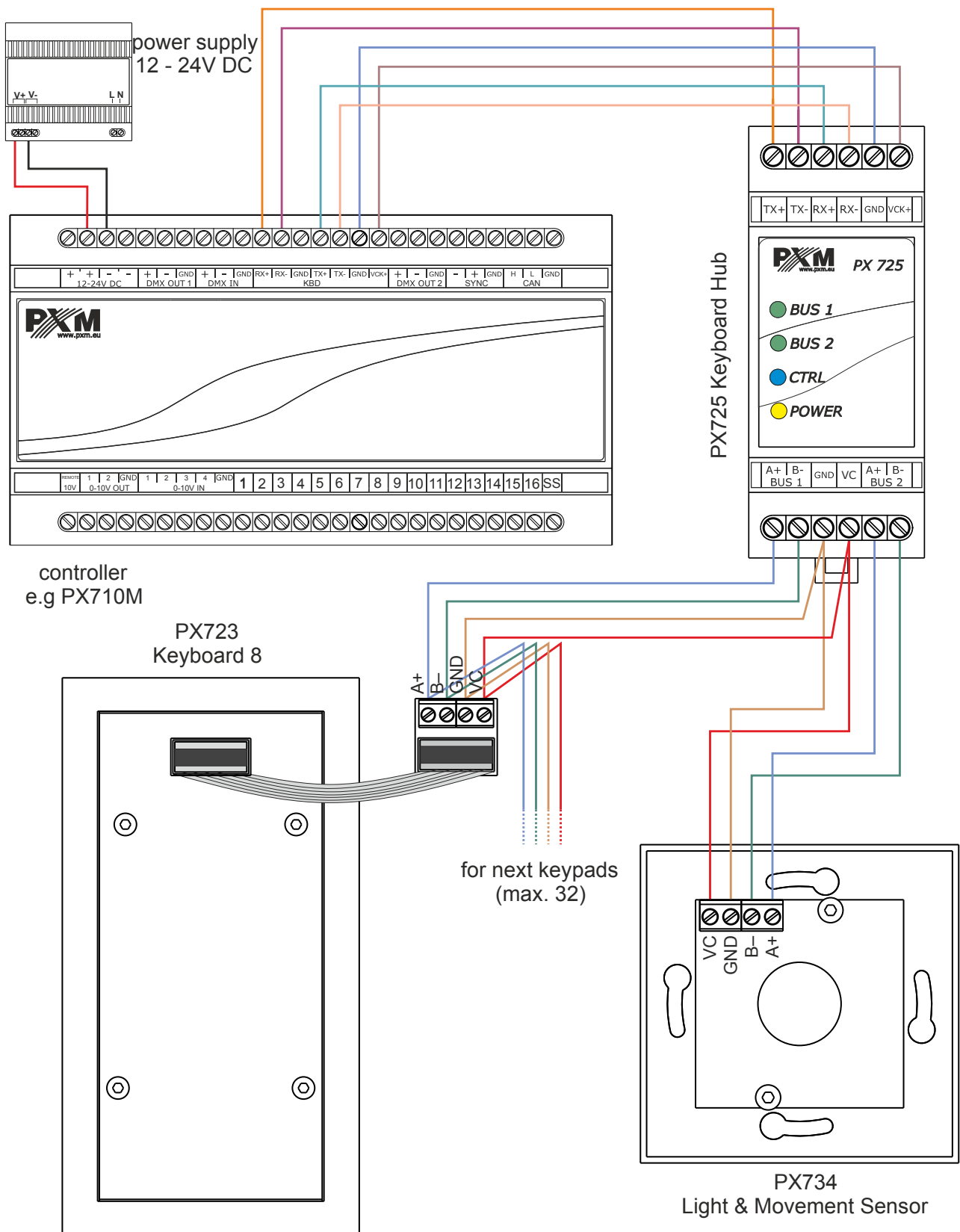
drawing of the keypad with the mounting plate



drawing the mounting plate



# Connection diagram



## Technical data

---

|   |   |
|---|---|
| type  | PX723                                       |
| power supply                                | PX725 bus                                   |
| number of the buttons                       | 8   |
| LED diodes                                  | 8   |
| cooperation with the controllers            | PX710M, PX340                               |
| method of communication with the controller | with the use of PX725 Keyboard Hub          |
| maximum number of the devices               | 64 (max. 32 for one line PX725)             |
| method of programming                       | with the use of PxDesigner                  |
| weight                                      | 0.25kg                                      |
| dimensions                                  | width: 80mm<br>height: 150mm<br>depth: 13mm |