

PX723

# Keyboard 8

User manual



# Table of Contents

1 Description.....	3
2 Safety conditions.....	4
3 Connectors and control elements.....	5
4 Device operation.....	6
5 Connection scheme.....	7
6 Dimensions.....	8
7 Technical data.....	9

*Manufacturer reserves the right to make modifications in order to improve device operation.*

PXM Marek Źupnik sp.k.  
Podłęże 654  
32-003 Podłęże  
BDO register number 000005972

tel. +48 12 385 83 06  
mail: [info@pxm.pl](mailto:info@pxm.pl)  
[www.pxm.pl](http://www.pxm.pl)

Rev.1-1  
20.02.2019

# 1 Description

---

PX723 is a dedicated keypad for cooperation with the controllers PX710M and PX340. It is possible to create the system of additional inputs for the controllers PX710M and PX340, which include the devices PX723 and PX734.

Px723 expands the system by 8 digital inputs in the form of touch buttons and PX734 expands it by one analogue input and one digital input (the movement sensor and the analogue light sensor). Both devices are connected with the use of the connector Keyboard Hub PX725.

Each button of PX723 has a LED indicator with adjustable brightness. Its state is controlled by the controller, and the configuration is carried out with the use of the program PxDesigner (available for free download on producer's website). Moreover, pressing the button can be signaled with the short acoustic signal.

It is possible to connect 64 devices (max. 32 per one line of PX725) and they should be connected in series.

The front panel is made with tempered glass, and the housing of PX723 enables an easy assembly in the standard double electrical box.

## 2 Safety conditions

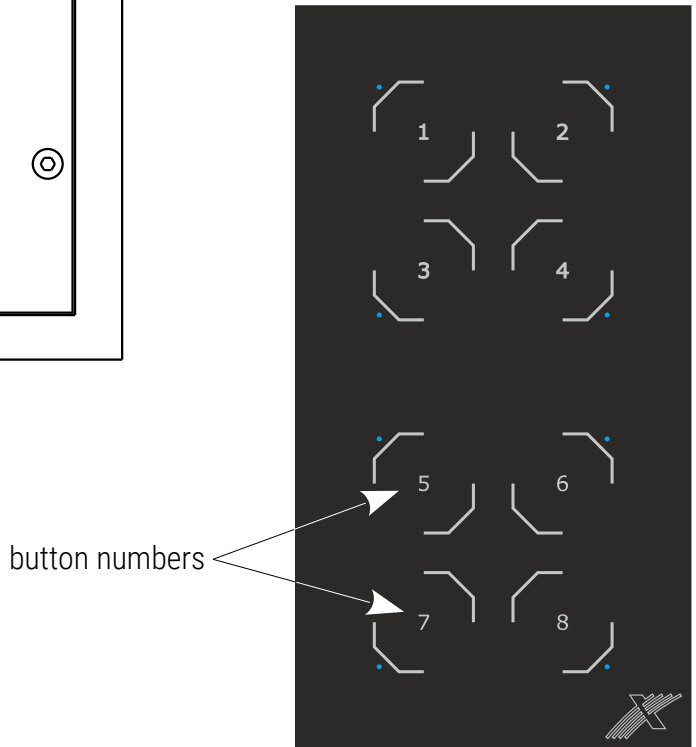
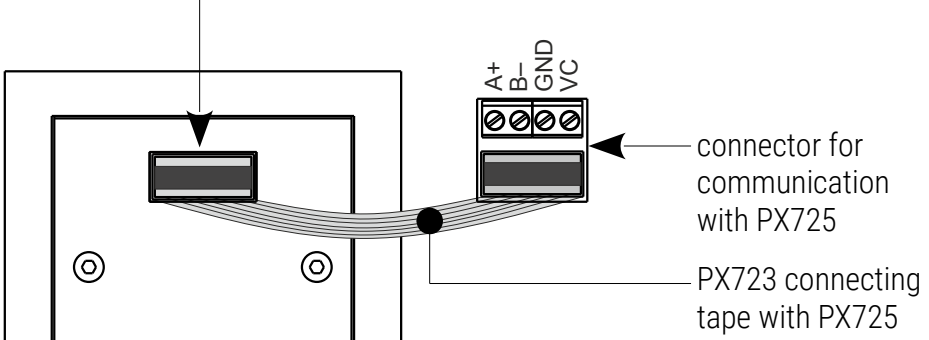
---

PX723 is a device powered with safe voltage 12 – 24V DC, however, during its installation and use the following rules must be strictly observed:

1. The device can be connected to 12 – 24V DC with current-carrying capacity compatible with technical data.
2. All the conductors should be protected against mechanical and thermal damage.
3. In case of damage to a conductor, it should be replaced with a conductor of the same technical parameters.
4. Connection of DMX signal can be made with a shielded conductor only.
5. All repairs, connecting and disconnecting of cables can only be made with cut off power supply.
6. The device should be strictly protected against contact with water and other liquids.
7. All sudden shocks, particularly dropping, should be avoided.
8. The device cannot be turned on in places with humidity exceeding 90%.
9. The device cannot be used in places with temperature lower than +2°C or higher than +40°C.
10. Clean with damp cloth only.

### 3 Connectors and control elements

communication input with PX725



## 4 Device operation

---

Owing to the keypad PX723, can be expand the operation of the system by eight additional digital inputs which are programmed with use of the PxDesigner application.

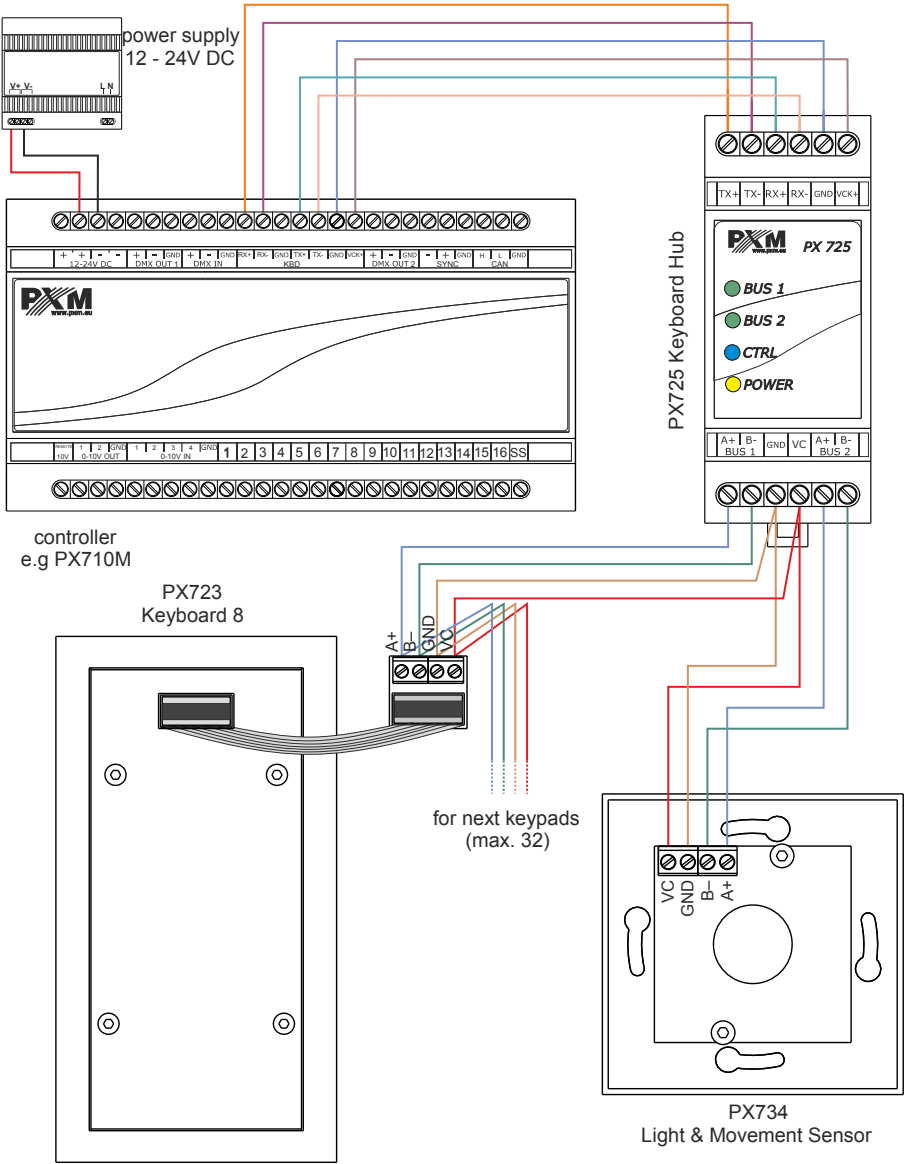
Each button generates two events in the controller: from turning on and from turning off. The button can also be defined as “repetitive” – then pressing it longer will generate the event from turning on every defined interval of time.

Next to each button there is a LED indicator for which one of 4 levels of brightness can be set. The indicators can be in two states: ON and OFF as well as two diodes of blinking: fast and slow.

Pressing the button is signaled with the short acoustic signal. One of 3 levels of loudness can be set or the sound can be completely turned off.

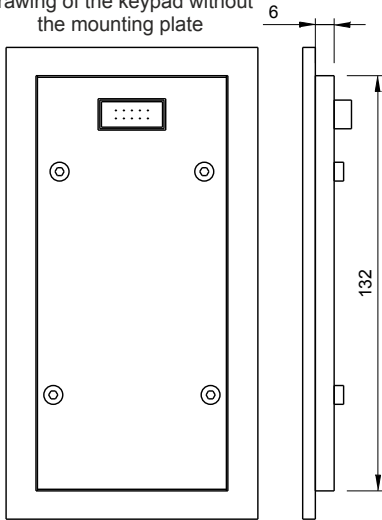
The indicators of the keypad will flash once after turning power on.

# 5 Connection scheme

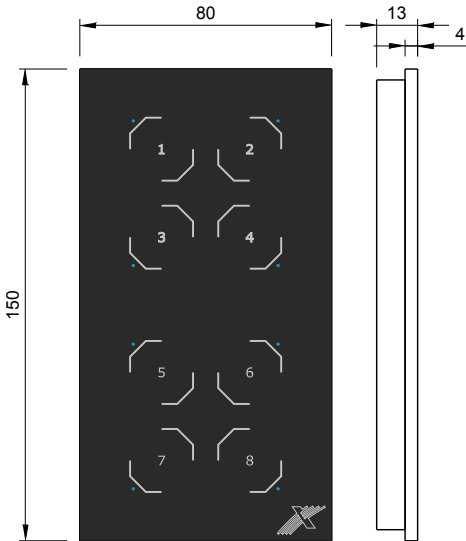


# 6 Dimensions

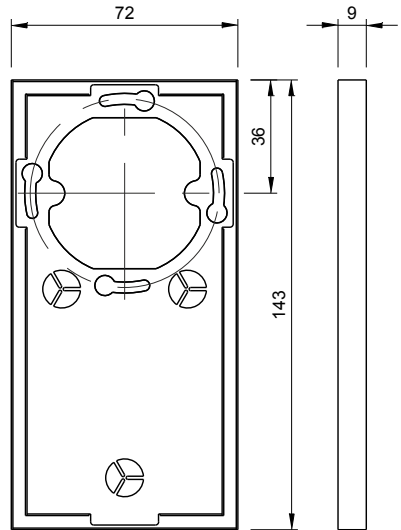
drawing of the keypad without the mounting plate



drawing of the keypad with the mounting plate



drawing the mounting plate





## 7 Technical data

---

type	PX723
power supply	PX725 bus
number of the buttons	8
LED diodes	8
cooperation with the controllers	PX710M, PX340
method of communication with the controller	with the use of PX725 Keyboard Hub
maximum number of the devices	64 (max. 32 for one line PX725)
method of programming	with the use of PxDesigner
weight	0.25kg
dimensions	width: 80mm height: 150mm depth: 13mm

## DECLARATION OF CONFORMITY

PXM Marek Żupnik spółka komandytowa  
Podłęże 654, 32-003 Podłęże

we declare that our product:

*Product name:* Keyboard 8

*Product code:* PX723

meets the requirements of the following standards, as well as harmonised standards:

PN-EN IEC 63000:2019-01

EN IEC 63000:2018

PN-EN 61000-4-2:2011

EN 61000-4-2:2009

PN-EN IEC 61000-6-1:2019-03

EN IEC 61000-6-1:2019

PN-EN 61000-6-3:2008

EN 61000-6-3:2007

and meets the essential requirements of the following directives:

2011/65/UE **DIRECTIVE OF THE EUROPEAN PARLIAMENT AND OF THE COUNCIL** of 8 June 2011 on the restriction of the use of certain hazardous substances in electrical and electronic equipment  
Text with EEA relevance.

2014/30/UE **DIRECTIVE OF THE EUROPEAN PARLIAMENT AND OF THE COUNCIL** of 26 February 2014 on the harmonisation of the laws of the Member States relating to electromagnetic compatibility (recast)  
Text with EEA relevance.

  
**Marek Żupnik spółka komandytowa**  
32-003 Podłęże, Podłęże 654  
NIP 677-002-54-53



mgr inż. Marek Żupnik.