



Device description

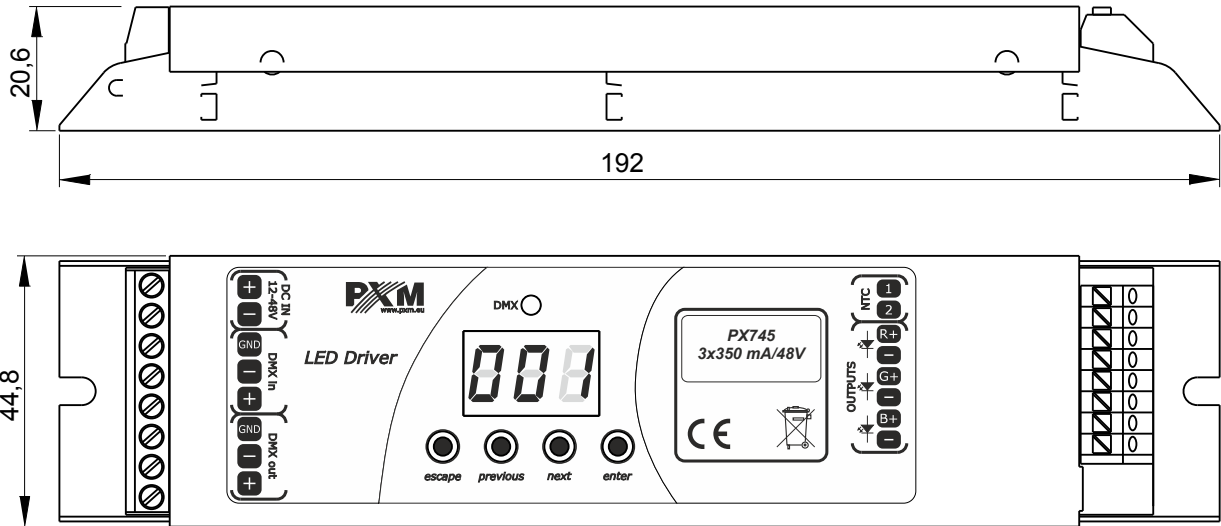
Driver LED C.C. 3 x 350mA with built-in DMX512 signal receiver is designed to control LEDs, it allows for activating 3 channel (R, G, B) by using directly the DMX protocol. The device has been placed inside metal housing. A wide range of 12 – 48V DC power supply allows to control large amounts of LEDs supplied with 350mA current.

PX745 can be controlled by the DMX signal or it can work independently. In this operation mode, the user has access to a fully programmable scene and 18 default sequences for which can also change the reproduction speed and the smoothness of transition of particular steps.

With the use of 16-bit resolution, controlling the parameters of channels is completely smooth. Moreover, the driver offers an effect control mode which allows for controlling the programs that are built into the device and, at the same time, changing such parameters as speed, brightness and fade settings using DMX512 signal sent from an external controller.

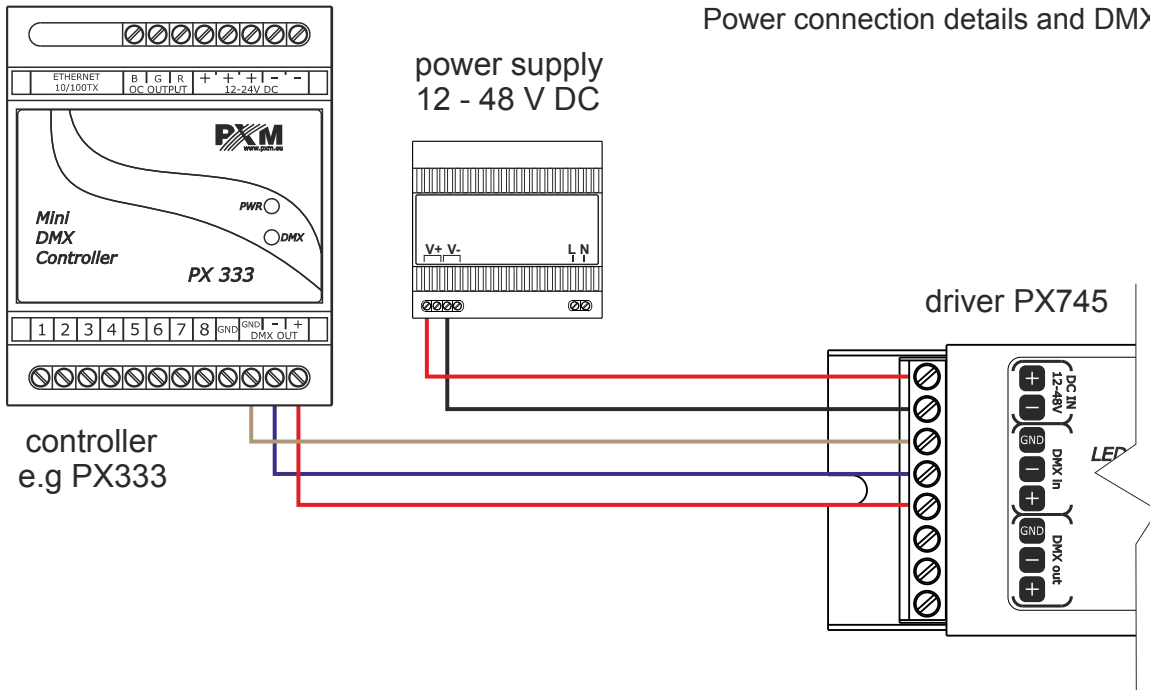
The driver offers a built-in control signal frequency tuning system ("*flicker free*" technology), which makes it useful in applications for the television industry. As LED's from the RGB series often differ in parameters, problem in receiving white color may occur (triggering 100% at all channels). This is why the PX745 has been equipped with a very useful feature called "white balance". With this feature, each set of LED's can be adjusted so that the control of individual colors by the module enables achieving white color at full activation. What is more, this feature allows for adjusting color temperature of white.

PX745 has also been equipped with a function of temperature power output limit and connectors for connecting a temperature sensor.

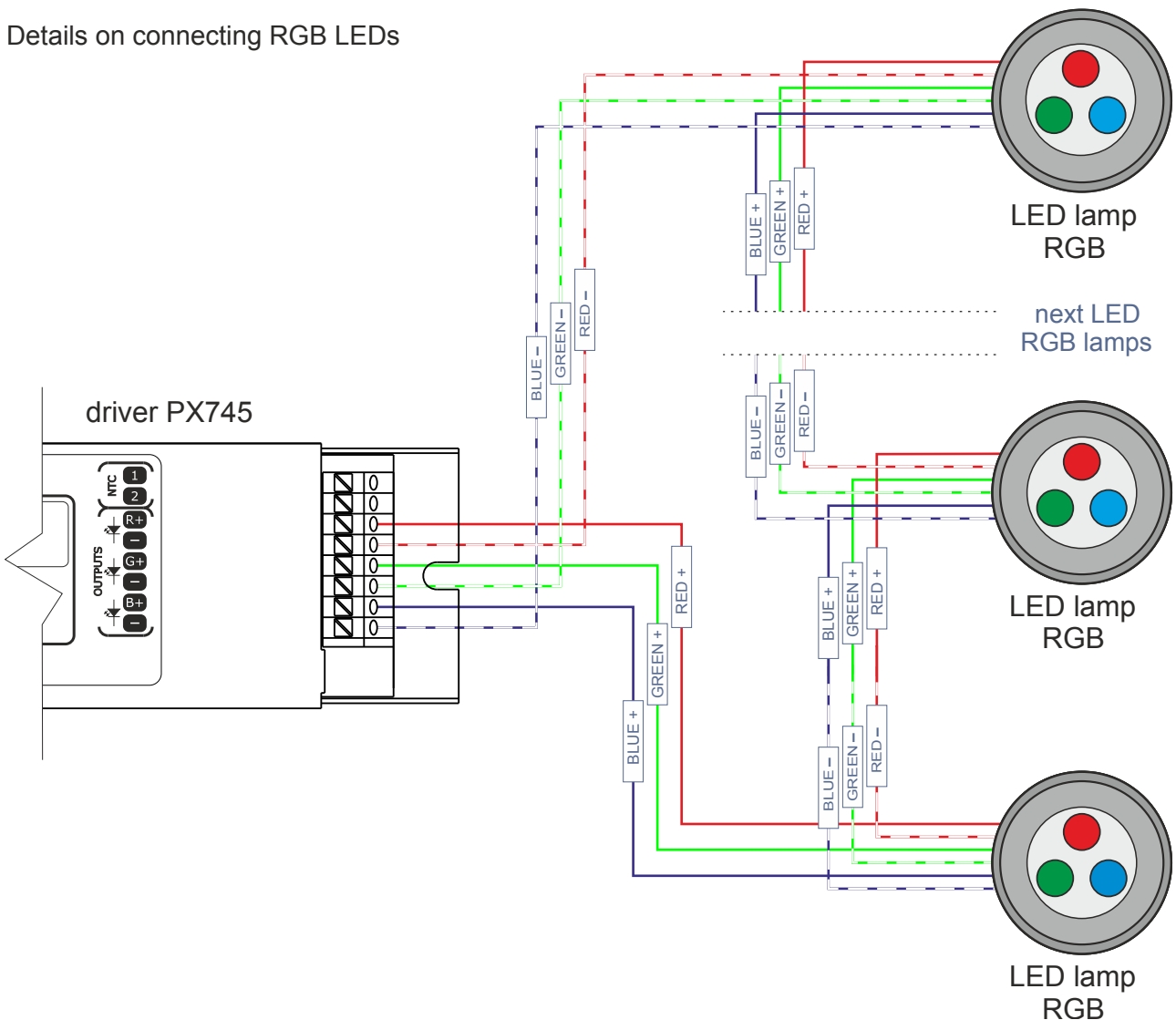


Connection diagram

Power connection details and DMX control



Details on connecting RGB LEDs



Technical data

type	PX745
DMX input	1 (512 channels)
DMX output	1 (24 – 512 channels)
number of current outputs	3
max current consumption	1.1A
no-load power consumption	0.5W
output load capacity	350mA / channel (+2% ÷ -5%)
output sockets	PCB terminal block (wire 0.5 – 1.5mm ²)
number of programmable scene	1
built-in programs	18
master / Slave mode	yes
control accuracy	16 bit
weight	0.15kg
dimensions	width: 192mm height: 44.8mm depth: 20.6mm