



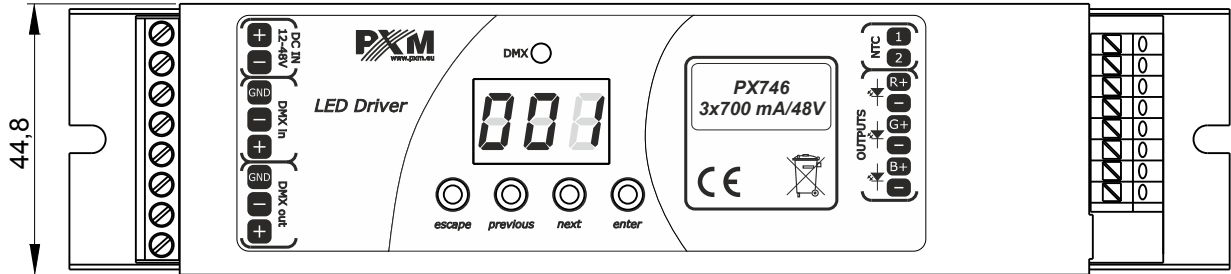
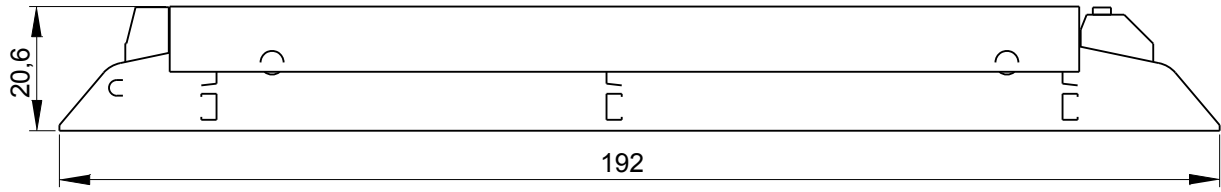
Device description

Driver LED C.C. 3 x 700mA with built-in DMX512 signal receiver is designed to control LEDs. The built-in DMX receiver allows for activating 3 channels (R, G, B) by using directly the DMX protocol. The device has been placed inside metal housing. A wide range of supply voltage and a high level of current-carrying capacity enabled activating large quantities of LEDs.

PX746 can be controlled by the DMX signal or it can work independently. In this operation mode, the user has access to a fully programmable stage and 18 default sequences for which can be also change the reproduction speed and the smoothness of transition of particular steps. With the use of 16-bit resolution, controlling the parameters of channels is completely smooth. Moreover, the driver offers an effect control mode which allows for controlling the programs that are built into the device and, at the same time, changing such parameters as speed, brightness and fade settings using the DMX512 signal sent from an external controller.

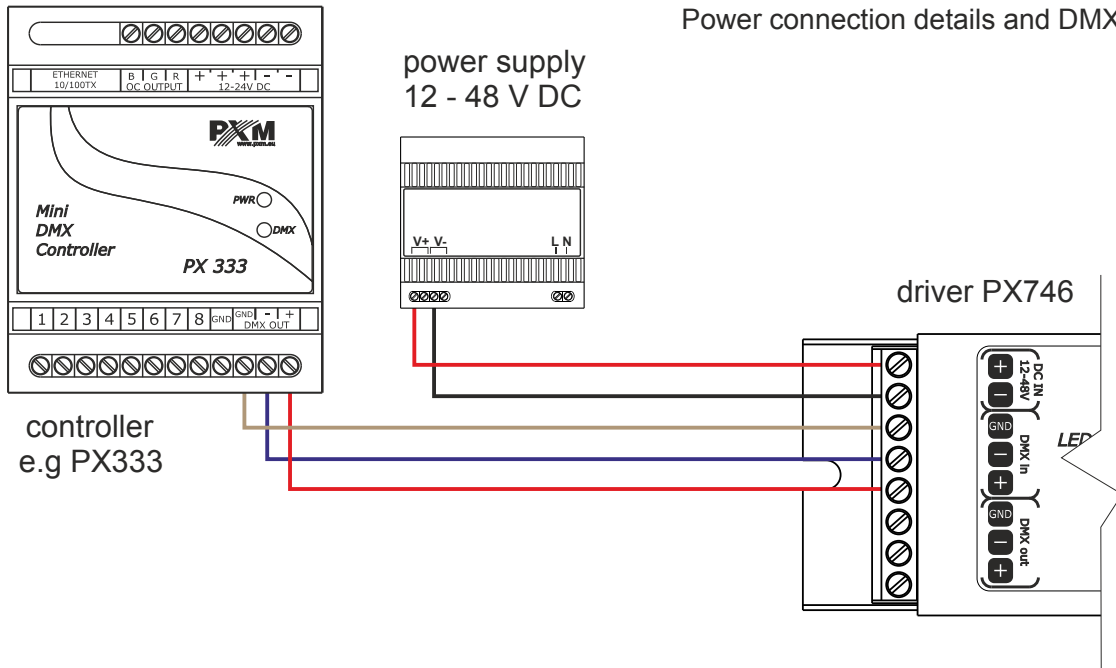
The driver offers a built-in control signal frequency tuning system ("*flicker free*" technology), which makes it useful in applications for the television industry. As LEDs from the RGB series often differ in parameters, problems in receiving white color may occur (triggering 100% at all channels). This is why the PX746 has been equipped with a very useful feature called "white balance". With this feature, each set of LEDs can be adjusted so that the control of individual colors by the module enables achieving white colour at full activation. What is more, this feature allows for adjusting color temperature of white.

PX746 has also been equipped with a function of temperature power output limit and connectors for connecting a temperature sensor.

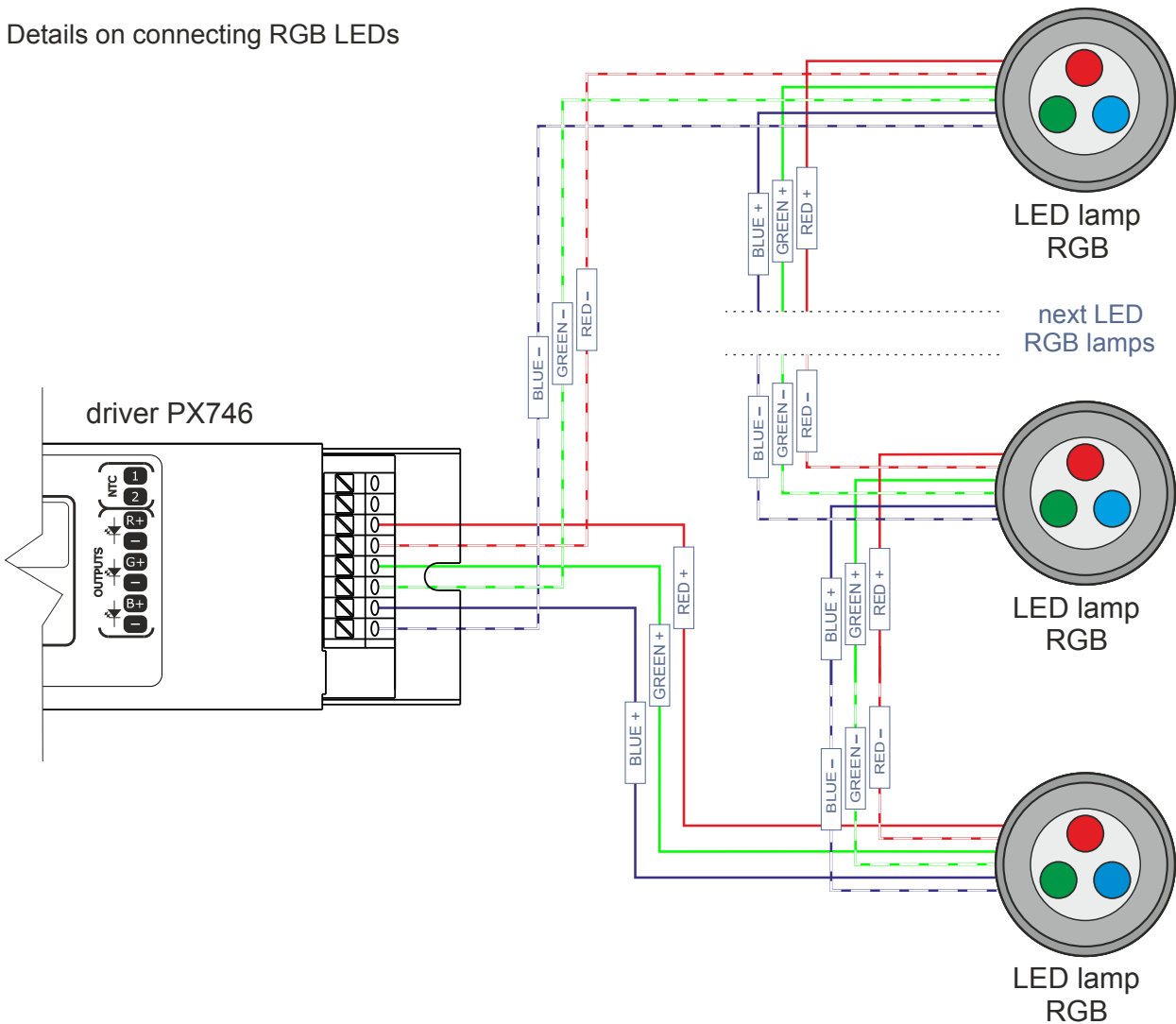


Connection diagram

Power connection details and DMX control



Details on connecting RGB LEDs



Technical data

type	PX746
DMX input	1 (512 channels)
DMX output	1 (24 – 512 channels)
number of current outputs	3
max current consumption	2.1A
no-load power consumption	0.5W
output load capacity	700mA / channel (+2% ÷ -5%)
output sockets	PCB terminal block (wire 0.5 – 1.5mm ²)
number of programmable scene	1
built-in programs	18
Master / Slave mode	yes
control accuracy	16 bit
weight	0.15kg
dimensions	width: 192mm height: 44.8mm depth: 20.6mm