

Overview

The Pharos PoE provides a simple power and networking solution for four Power-over-Ethernet devices with two separate Ethernet uplink ports. It is perfect for connecting power and data between Pharos Controllers and Pharos Remote Devices.



Features



PoE Technology

Combine power and data in a single Ethernet cable using PoE (IEEE 802.3af and IEEE 802.3at) technology making it easy to locate your Pharos devices where you need them.



Multiple Ports

Use four ports to power and connect multiple Pharos Controllers or Remote Devices (or other IEEE 802.3af or IEEE 802.3at compliant devices). Two additional ports (without PoE) are available to connect to your computer, other networks or other devices not require Power-over-Ethernet.



No Commissioning

The simple un-managed switch operates out of the box, with no commissioning required.

Installer Friendly

Made for permanent installation, with installer-friendly connectors and easy DIN rail mounting.

Protected

Resettable fuses protect each port with the appropriate level of overcurrent protection for the Class of device that is attached.

Scalable

Compatible with all Pharos Devices, and can be used with other POEs to create larger networks.

Flexible

Automatically detects the requirements of the connected device/s to provide the correct power level.

Reliable

Rugged, compact 6 unit wide DIN rail unit with a solid-state design ensures unparalleled reliability.

5 Year Warranty

Designed and manufactured in the UK, with quality and reliability our top priority.

Certifications

CE compliant, ETL/cETL listed, and California Title 20/24 compliant.

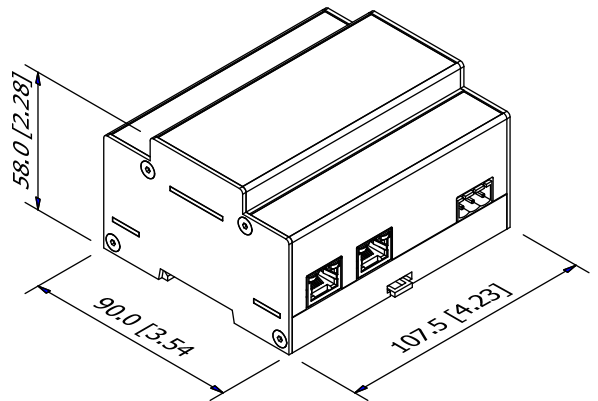


Interfaces

PoE	Four RJ45 sockets for 10/100Base-TX Ethernet with Power-over-Ethernet Supports IEEE 802.3af Class 1, 2, and 3 and IEEE 802.3at Class 4 (Type 2) devices
Ethernet	Two RJ45 sockets for 10/100Base-TX Ethernet

Specifications

Certifications	CE compliant, ETL/cETL listed
Power	48V DC * power consumption dependant on load, 100W maximum
Temperature	0°C to 50°C (32°F to 122°F)
Humidity	10-50% relative, non-condensing
Ingress	IP40
Physical	6 unit wide DIN rail mounting enclosure (DIN43880 / EN60715 (35/7.5 rail)) 0.5 kg (1.1 lbs)
Shipping	20 x 15 x 12 cm (8" x 6" x 5") 0.7 kg (1.6 lbs)
Warranty	5 years * Install-friendly 0.200" (5.08mm) plug in rising clamp connectors (included)



Order Code & Variants

PoE	Unmanaged PoE Ethernet Switch (4+2 Port: 4 PoE, 2 non-PoE)
------------	--

