



## Device description

---

The PX710 is an advanced architectural lighting controller that allows for controlling even the most complex lighting systems.

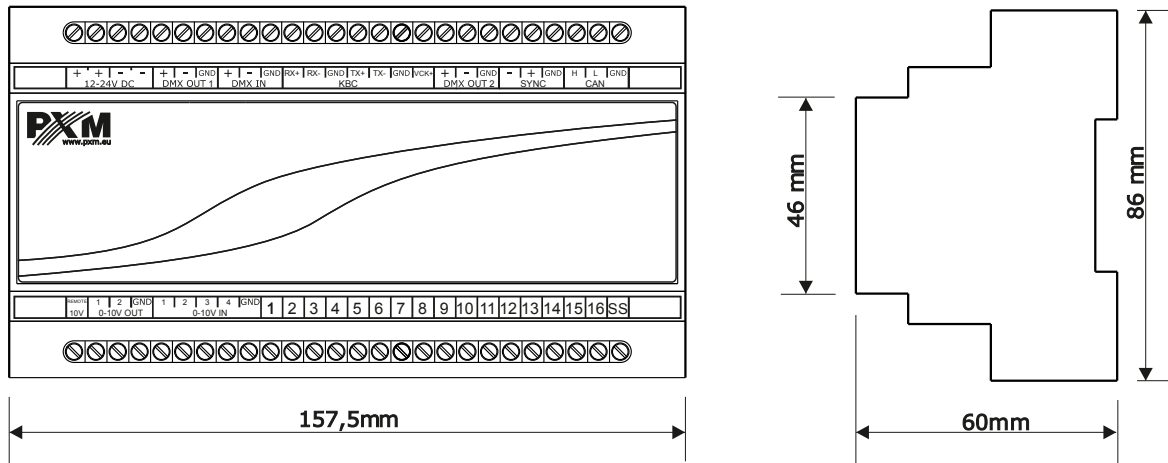
With programmable functions, the device enables the control of lighting, multimedia, and other devices that are operated based on the DMX protocol.

The controller has 2 DMX output lines (1024 channels) and it allows for triggering multiple configuration items at the same time. Events can be triggered by an astronomical clock, a real time clock, programmed timers, analogue or digital inputs, mobile device applications or via the Modbus protocol.

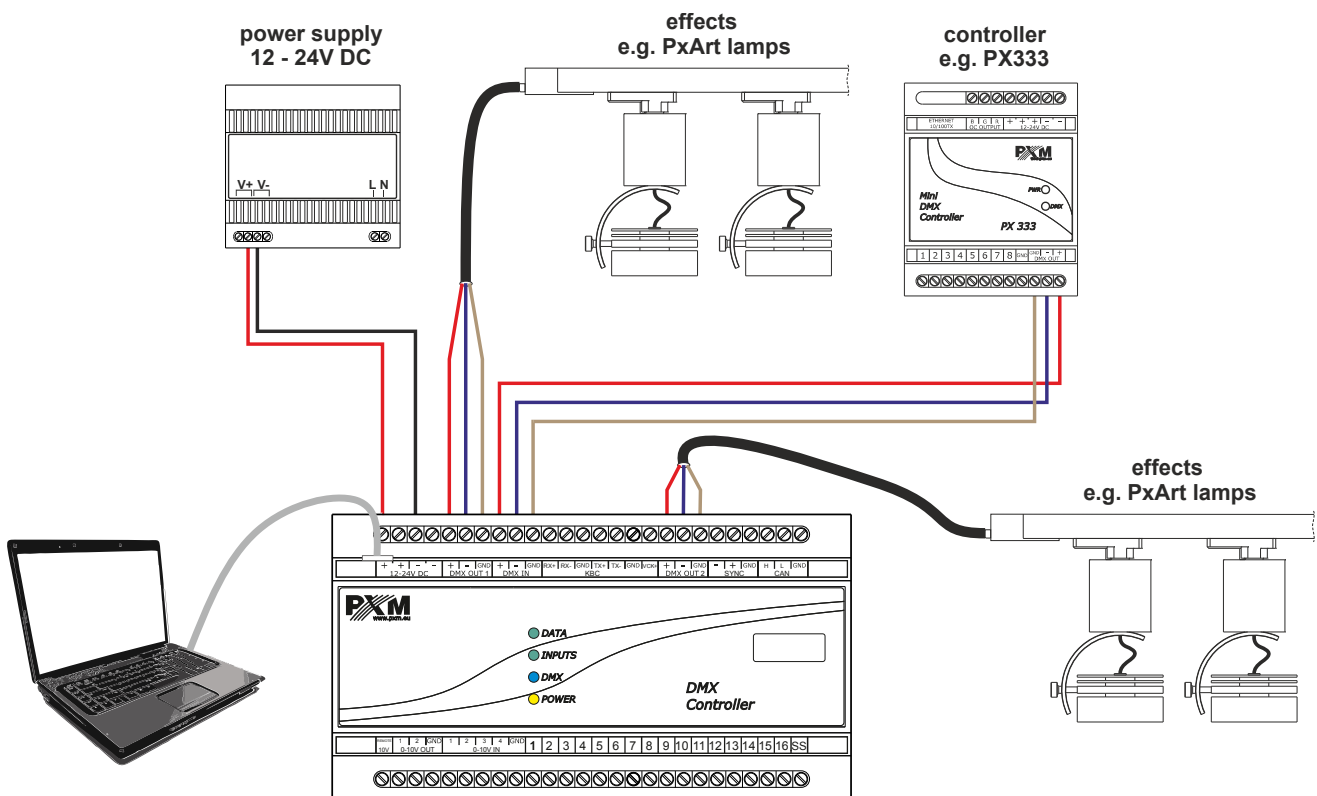
An advanced PC application (Windows®) allows for programming the device. The application has a built-in library of devices that can be distributed on a graphic project, which facilitates the creation of complex light shows, including ones that are synchronized with sound.

The controller comes with an application for mobile devices (Android™, iOS) which enables simple control. The controller can be used to create up to 16 users with different access rights. There is an option to remotely log on to the controller from the external network.

# Technical drawing



# Connection diagram



## Technical data

---

type	PX710
power supply	12 – 24V DC
max. current consumption	400mA
DMX input	1 (512 channels)
DMX output	2 (2 x 512 channels)
control inputs (on / off)	16
analog inputs	4
analog outputs	2
Ethernet port	1
Real Time Clock (RTC)	yes
Modbus	TCP
external touchpanels	max. 16
scenes and programs steps	251000
number of scenes running simultaneously	max. 200
programs	512 (max. 40 simultaneously)
sequences	128
statuses	256
timers	1024
zones	32
users (including ADMIN)	16
weight	0.3kg
dimensions	width: 157,5mm (9 DIN rail modules) height: 86mm depth: 60mm